

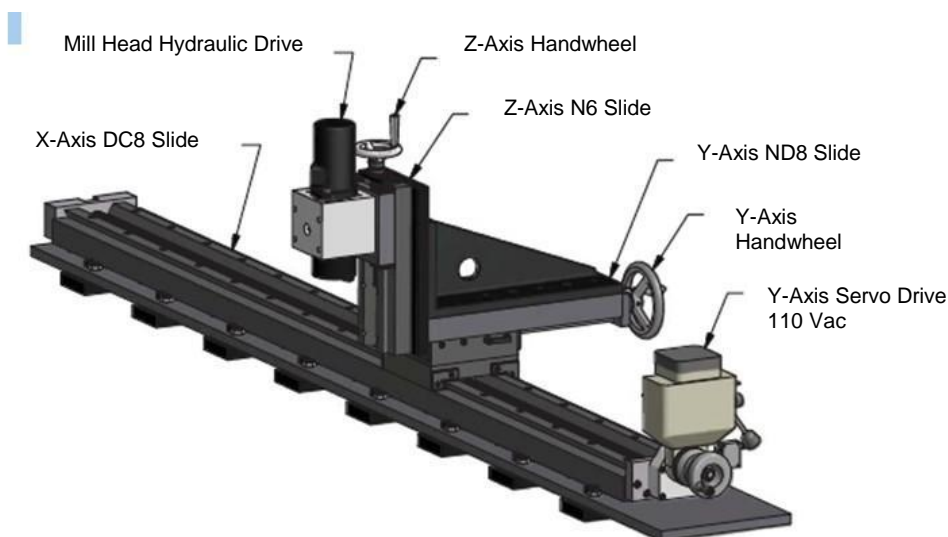
# Mactech Europe LTD



## MT8 x 96 Portable Mill

### Precise, Adaptable, On-Site, 3-Axis Portable Milling

Mactech's MT8 x 96 Portable Mill is a 3-axis portable mill capable of close tolerance milling, drilling, boring, and many other on-site milling operations. It is ideal for large area repair work where dismantling is not possible or practical. The mill can be clamped, bolted or welded directly onto to the workpiece in any orientation. Features include variable travel along the X, Y and Z axis and reversible milling head. The full length ball screw allows X-Axis travel along the entire length of the mill.



### Features

- Precise on-site milling, drilling and nboring.
- Full length X-Axis precision ball screw.
- Precision slide assemblies.
- Powerful hydraulic direct-drive mill head, servo-driven X-Axis feed.
- Adaptable mounting configurations, mounts in any orientation.
- Uses standard tooling

MT8 X 96 Portable Mill



**Mactech**  
(EUROPE) LIMITED

Mactech Europe Limited

Tel: + 44 (0) 1260 253846  
Web: [www.mactech europe.co.uk](http://www.mactech europe.co.uk)  
Email: [info@mactech europe.co.uk](mailto:info@mactech europe.co.uk)

UK Head Office: Unit 7 Scragg House | Langley | Macclesfield | Cheshire | SK11 0DG  
Aberdeen Office: Mactech House | Howe Moss Drive | Dyce | Aberdeen | AB21 0GL



# Mactech Europe LTD

## MT8 x 96 Portable Mill

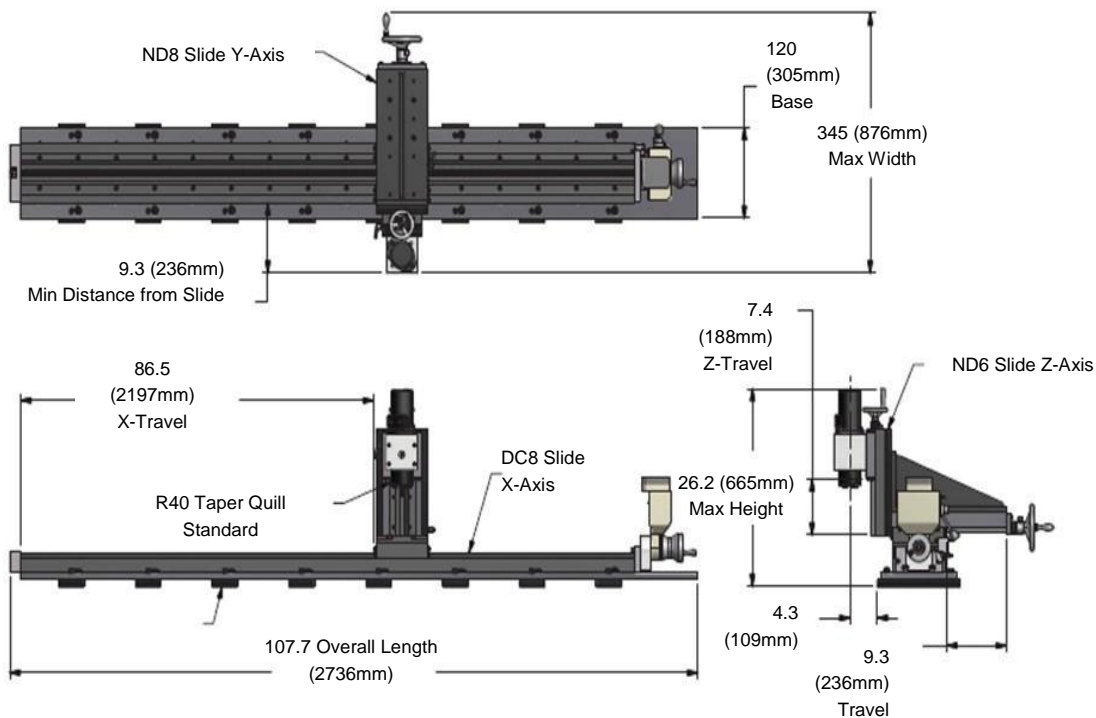
### Performance Data

#### Hydraulic Mill Head Drive

Max Speed at 15 gpm (56.8 lpm)	320 rpm at 1200 psi (82.7 bar)
Efficiency Speed at 10 gpm (37.9 lpm)	207 rpm at 1200 psi (82.7 bar)
Maximum Power	6.5 hp (4.8kw)
Torque	1327 in/lbs (148.7 N-m)
Pressure – Continuous	1200 psi (82.7 bar)
Pressure – Peak	1800 psi (124.1 bar)

### Options

- Tool arbors ranging from 3/8 to 1-1/4 inch inside diameter
- Drill bits, hole saws, cutters and other tooling available
- Hydraulic Power Supply
- Saddles, chains and other mounting options for challenging placements



MT8 X 96 Portable Mill



**Mactech**  
(EUROPE) LIMITED

Mactech Europe Limited

Tel: + 44 (0) 1260 253846  
Web: [www.mactech europe.co.uk](http://www.mactech europe.co.uk)  
Email: [info@mactech europe.co.uk](mailto:info@mactech europe.co.uk)

UK Head Office: Unit 7 Scragg House | Langley | Macclesfield | Cheshire | SK11 0DG  
Aberdeen Office: Mactech House | Howe Moss Drive | Dyce | Aberdeen | AB21 0GL