

Mactech Europe

102 inch

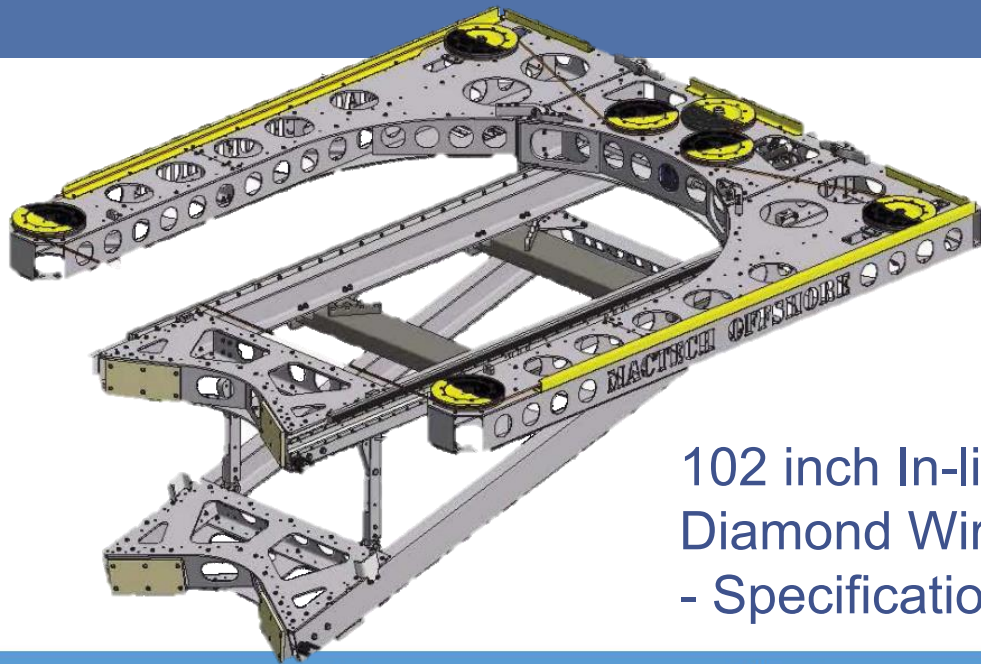
In-line Diamond Wire Saw



Mactech Europe | 102 inch In-line Diamond Wire Saw

In-line Saws have all the features you need to efficiently cut casing and structures. These saws have performed thousands of successful cuts in the Gulf of Mexico and around the world.

- Used for subsea and topside cutting
- Operates in any position
- Cuts multi-string casing, square piles, steel and concrete
- Easily modified for specialized cuts
- Cuts in any orientation, upside-down, right-side up, or at any angle



102 inch In-line Diamond Wire Saw - Specifications

	Inches	Millimetres
Cutting Capacity	48 to 102 inches	1219 mm x 2591 mm
Operational Dimensions	165 x 138 x 69 inches	4191 mm x 3505 mm x 1753 mm
Shipping Dimensions	165 x 60 x 73 inches	4191 mm x 1524 mm x 1854 mm
Operating Weight	2375 lbs	1077 kg
Shipping Weight	2450 lbs	1111 kg
Power Requirement	200 lpm 200 bar	



Mactech
(EUROPE) LIMITED

HEAD OFFICE
MACTECH HOUSE
RIVERDANE ROAD
EATON BANK TRADING ESTATE
CONGLETON
CHESHIRE
CW12 1PN
+ 44 (0) 1260 281431



www.mactech europe.co.uk
info@mactech europe.co.uk

ABERDEEN OFFICE
MACTECH HOUSE
HOWE MOSS DRIVE
KIRKHILL IND. ESTATE
DYCE
ABERDEEN
AB21 0GL
+ 44 (0) 1224 722666