

Mactech Europe

120 inch

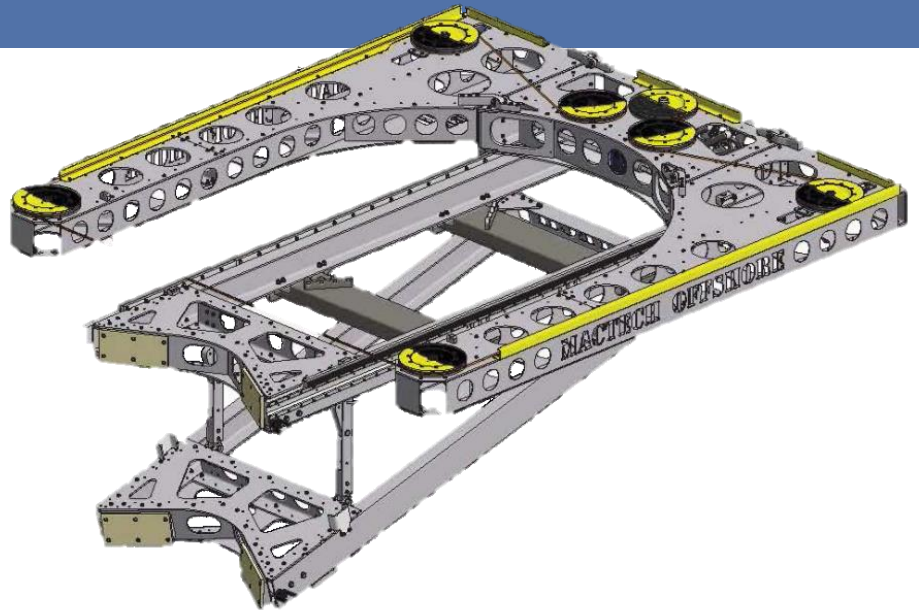
In-line Diamond Wire Saw



Mactech Europe | 120 inch In-line Diamond Wire Saw

In-line Saws have all the features you need to efficiently cut casing and structures. These saws have performed thousands of successful cuts in the Gulf of Mexico and around the world.

- Used for subsea and topside cutting
- Operates in any position
- Cuts multi-string casing, square piles, steel and concrete
- Easily modified for specialized cuts
- Cuts in any orientation, upside-down, right-side up, or at any angle



120 inch In-line Diamond Wire Saw - Preliminary Specifications

- 120 inch capacity - 125 inch clearance on the arm
- No clamp, requires chain hoist or straps for mounting
- 2800 lbs operating weight



Mactech
(EUROPE) LIMITED

HEAD OFFICE
MACTECH HOUSE
RIVERDANE ROAD
EATON BANK TRADING ESTATE
CONGLETON
CHESHIRE
CW12 1PN
+ 44 (0) 1260 281431



www.mactech europe.co.uk
info@mactech europe.co.uk

ABERDEEN OFFICE
MACTECH HOUSE
HOWE MOSS DRIVE
KIRKHILL IND. ESTATE
DYCE
ABERDEEN
AB21 0GL
+ 44 (0) 1224 722666