

Rental &
Lease Units
Available
Nationwide

Mactech Europe Ltd

BB1750 Boring Bar



On-site Portable Bore Repair System Saves Time and Money

Mactech Europe's portable BB1750 Bore Repair System is a powerful and versatile machine for in-line bore machining, welding and repair. The compact size and easy set-up make this one of the most efficient bore repair systems on the market. A powerful variable speed motor can cut through the toughest materials. The spherical fixture mounting system makes installation and centering easy and accurate.

The BB1750 can be changed from machining to welding in seconds using the same set-up, making your bore repairs quick and easy, all done on-site to save the time and expense of shop repair.



Key Features

- 1-3/4 inch Boring Bar
- Variable Speed
- Electric, Air or Hydraulic Drive
- 2 to 10 inch bores
- Bi-directional Variable Feed
- Manual Feed Adjustment
- Uses standard 1/2 inch tooling
- Balanced weight distribution along length of the bar

BB1750 Boring Bar



Mactech
(EUROPE) LIMITED

HEAD OFFICE
MACTECH HOUSE
RIVERDANE ROAD
EATON BANK TRADING ESTATE
CONGLETON
CHESHIRE
CW12 1PN
+ 44 (0) 1260 281431



www.mactech europe.co.uk
info@mactech europe.co.uk

ABERDEEN OFFICE
MACTECH HOUSE
HOWE MOSS DRIVE
KIRKILL IND. ESTATE
DYCE
ABERDEEN
AB21 0GL
+ 44 (0) 1224 722666



Mactech Europe Ltd

BB1750 Boring Bar

On-site Portable Bore Repair System Saves Time and Money

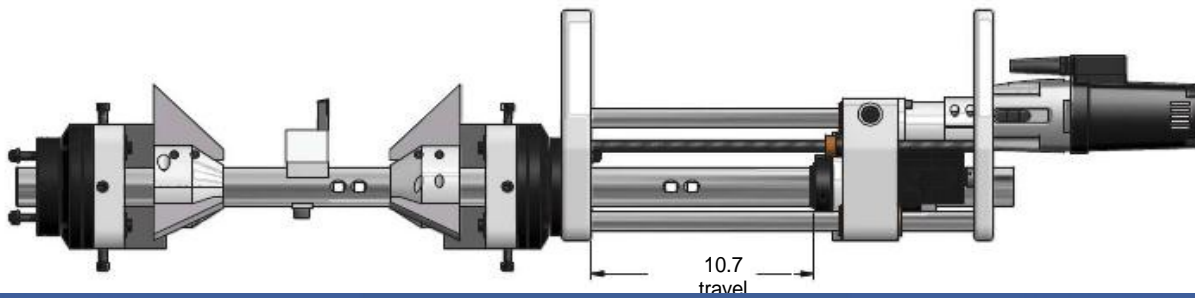
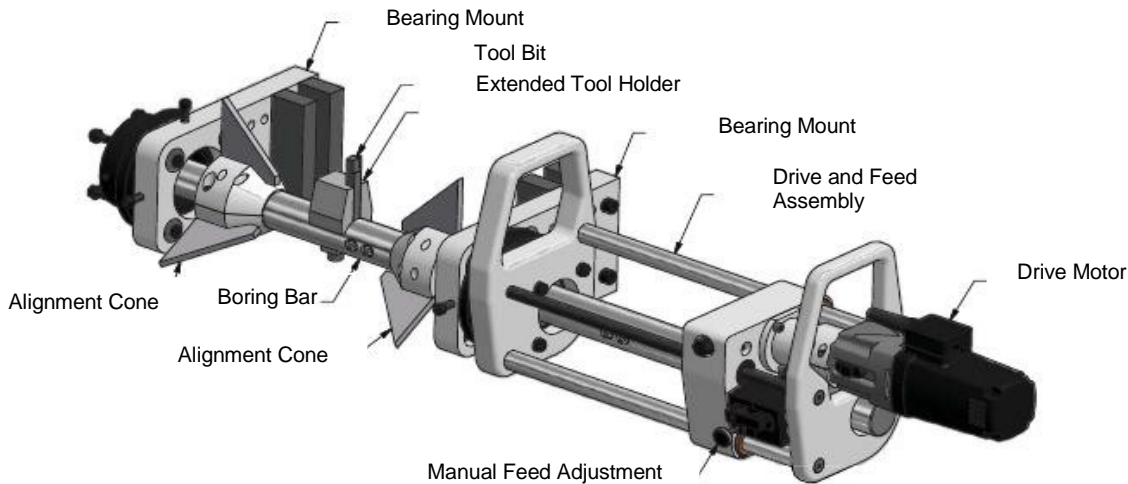
Rental &
Lease Units
Available
Nationwide

This tough and durable Portable Boring Bar adds versatility whilst saving both time and money repairing diggers, earth moving and heavy duty quarry equipment in-situ. Available to rent or purchase from stock at short notice

Technical Specifications

Drive Motor

- Electric: Variable speed, 110V, 10.5 amps, 32 ft-lbs (43Nm) torque, 250/450 rpm
- Air: 300-400 rpm
- Hydraulic: 300-400 rpm
- Feed Unit: Bi-directional, variable feed, 0-.020 inches (0-0.5mm) per revolution.
- Set-up: Two alignment cone assemblies for 4-10 inch (102-254mm) bores. Self-aligning bearing mounts with spherical bearings. Tool holder for 1/2 inch (13mm) tooling. Extended tool holders for up to 10 inch bores.
- Boring Bar: 1.75 inch (45mm) diameter, chromed, two 1/2 inch (13mm) broaches every 6 inches (152 mm) for tool and measuring devices.



BB1750 Boring Bar



Mactech
(EUROPE) LIMITED

HEAD OFFICE
 MACTECH HOUSE
 RIVERDANE ROAD
 EATON BANK TRADING ESTATE
 CONGLETON
 CHESHIRE
 CW12 1PN
 + 44 (0) 1260 281431



www.mactech europe.co.uk
info@mactech europe.co.uk

ABERDEEN OFFICE
 MACTECH HOUSE
 HOWE MOSS DRIVE
 KIRKHILL IND. ESTATE
 DYCE
 ABERDEEN
 AB21 0GL
 + 44 (0) 1224 722666