

Rental &
Lease Units
Available
Nationwide

Mactech Europe LTD

BB2250 Boring Bar



On-Site Portable Boring Systems -
Purchase or Rent Today

This tough and durable 2 ¼" Portable Boring Bar adds versatility whilst saving both time and money repairing diggers, earth moving and heavy duty quarry equipment in-situ. Available to rent or purchase from stock at short notice



BB2250 Boring Bar

Benefits of the BB250 Boring Bar

- Quick and extremely easy to set up for immediate use!
- The BB 2250 high torque gear drive equals more cutting power.
- Reliable and strong feed box arrangement.
- Covers a wide range of applications and sizes.
- Precision chromed boring bars
- Bore Weld from the same set-up
- Small Diameter Bore Kit
- Hydraulic Electric or Pneumatic Drive
- Boring Capacity to 16" + Facing Capacity to 18" +

HEAD OFFICE
MACTECH HOUSE
RIVERDANE ROAD
EATON BANK TRADING ESTATE
CONGLETON
CHESHIRE
CW12 1PN
+ 44 (0) 1260 281431



www.mactech europe.co.uk
info@mactech europe.co.uk

ABERDEEN OFFICE
MACTECH HOUSE
HOWE MOSS DRIVE
KIRKHILL IND. ESTATE
DYCE
ABERDEEN
AB21 0GL
+ 44 (0) 1224 722666



Mactech
(EUROPE) LIMITED



Mactech Europe LTD

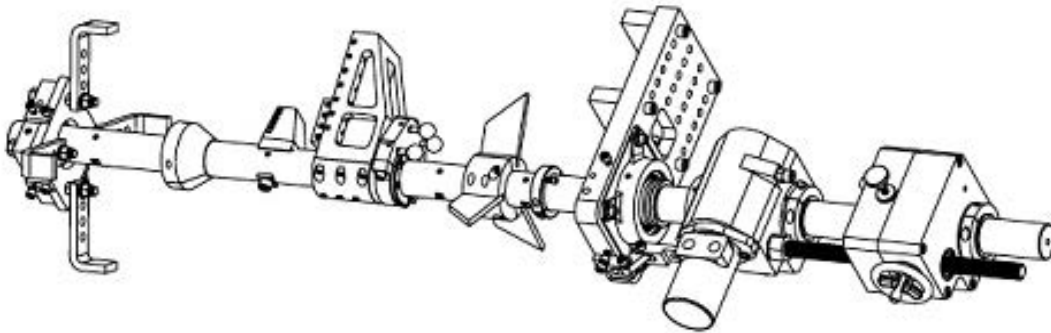
BB2250 Boring Bar

Rental &
Lease Units
Available
Nationwide

Affordable and Versatile Solutions for
your Line Boring Requirements.

Technical Specifications

Drive Unit:	Right angle worm gear drive with 6:1 reduction ratio
Pneumatic:	3.5 HP; 0-80 RPM
Electric:	1.9 HP (110V or 220V) standard 10-80 RPM High Torque Model 5-40 RPM
Hydraulic:	Varies by motor and pump selections
Feed Unit:	Infinitely variable .000-.015" per revolution. Bidirectional and adjustable during operation Manual crank allows rapid reset



Travel:	12"-30" with 18", 24" or 36" feedscrews
Tool Holders:	High grade alloy steel accepting 1/2" Tooling for rigid and aggressive cutting Facing Arm attachments available
Set Up:	Split aluminum cone sets are standard Self aligning spherical bearings with adjustable mounting brackets for ease of set up
Boring Bars:	2 1/4" precision chromed bars broached every 6" for toolset Standard bar length: 4', 6' and 8' any length is available Double broach option: allows for precision bore measurement with the bar left in place 1 1/4" Small diameter precision chromed and keyed bars available Standard bar length 4', 6' and 8' any length is available

BB2250 Boring Bar

HEAD OFFICE
MACTECH HOUSE
RIVERDANE ROAD
EATON BANK TRADING ESTATE
CONGLETON
CHESHIRE
CW12 1PN
+ 44 (0) 1260 281431



www.mactech europe.co.uk
info@mactech europe.co.uk

ABERDEEN OFFICE
MACTECH HOUSE
HOWE MOSS DRIVE
KIRKHILL IND. ESTATE
DYCE
ABERDEEN
AB21 0GL
+ 44 (0) 1224 722666



Mactech
(EUROPE) LIMITED