

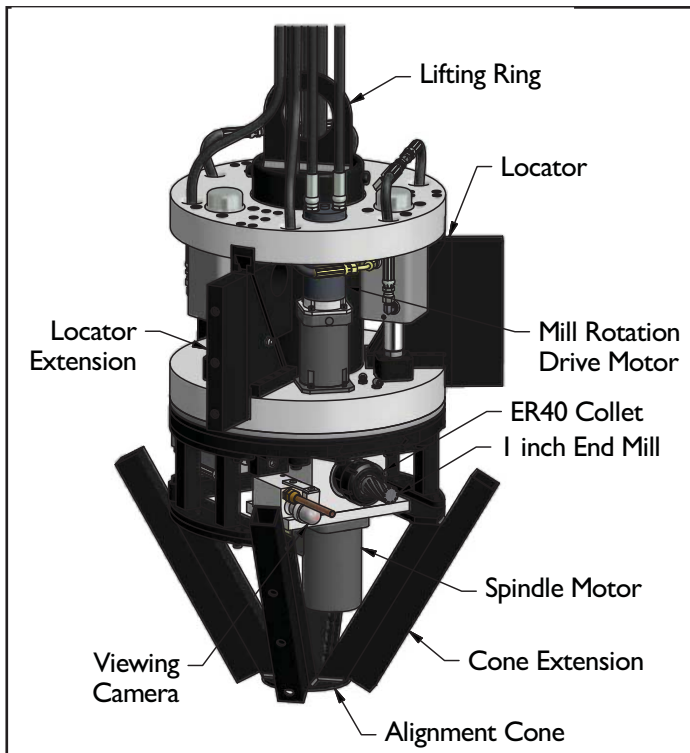


Mactech Europe ID Pipe Sever Machines



Reduce the Cost of Offshore Decommissioning

Mactech Europe's new and innovative ID Pipe Sever Machine reliably cuts casing, pilings and other round, hollow tube from the inside diameter. Cutting below the mudline (BML) is made safe and efficient with this unique tool



No external dredging or digging is required. Simply lower the ID Pipe Sever Machine into the tube, activate the self-centring mechanism and begin your cut.

The viewing camera allows monitoring of the cut, or use the camera for visual inspection. Self-centring locators assure accurate and secure placement. Mactech Europe's unique ID Pipe Sever Machine can be your solution to limited access, round tube severing applications.

Features

- Cut pilings & casings below the mud line, no external dredging required
- Standard 17" and 23" ID, 18" and 24" OD, 33" and 60" OD pipe cutting.
- Can be configured to a wide range of diameters using locator extensions.
- Self-centring makes set-up quick and easy.
- Uses standard 1 inch end mill.
- Optional viewing camera for monitoring or visual inspection
- Water jet adaptable.

