

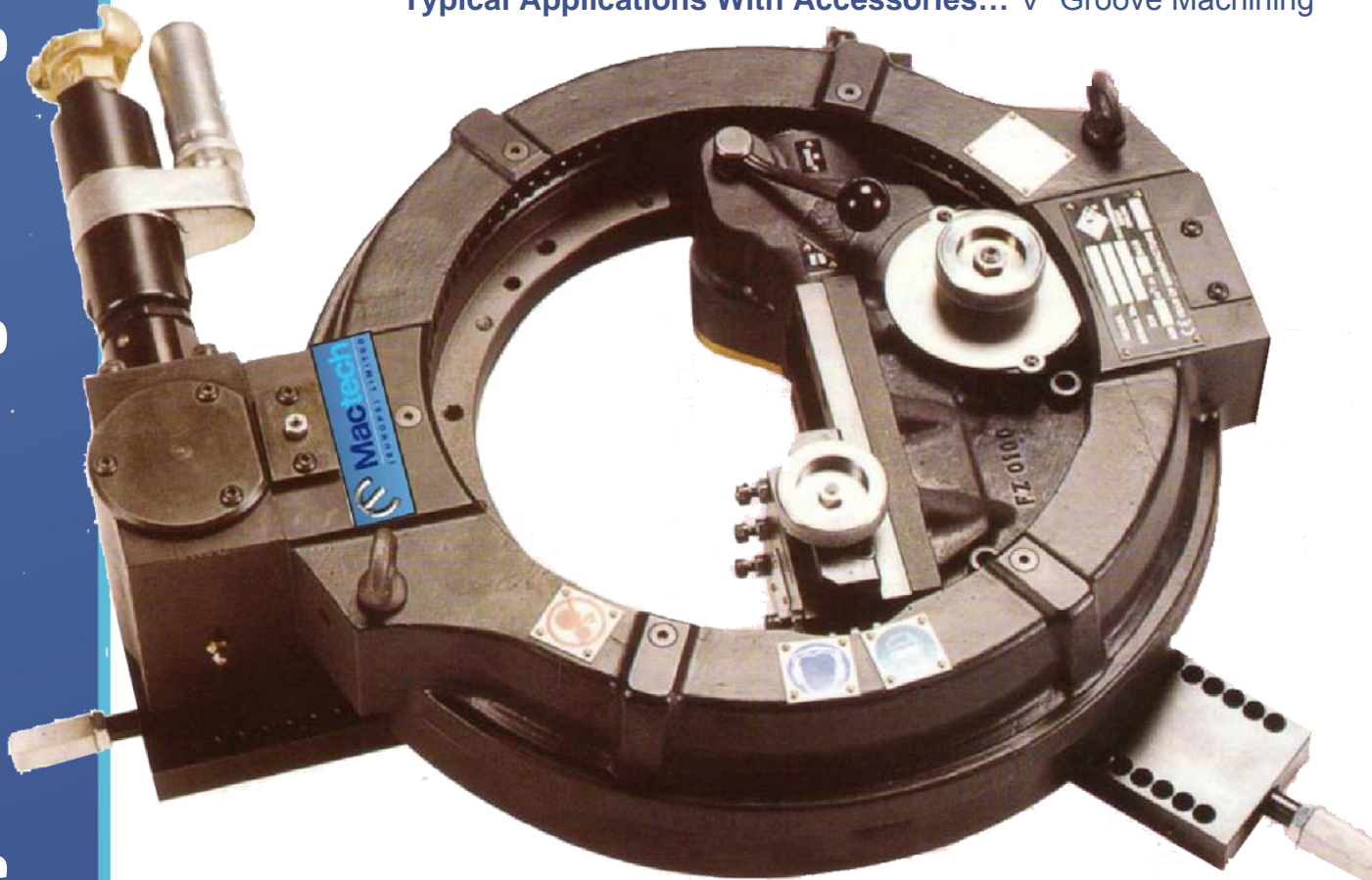
Mactech Europe

MTF012 Flange Facing Machines



A lightweight, portable, flange facing, grooving and weld preparation machine designed to machine full faced, raised face and grooved flanges from 0mm-305mm (0"-12")

Typical Applications With Accessories... "V" Groove Machining



Features

- Compact, lightweight
- Externally mounted
- Operates in any position
- Cuts "O" ring grooves, vertical grooves, "V" grooves, lens ring seats, hub profiles and weld preparations
- Achieves finishes from 1.6µm Ra to 6.3 µm (63CLA to 250CLA)
- 'Gramophone' finish when turning and 0.8µm Ra to 1.6µm (32CLA to 63CLA) when polishing
- Pneumatic drive permits use in hazardous areas
- Fitted transportable case



Mactech
(EUROPE) LIMITED

HEAD OFFICE
MACTECH HOUSE
RIVERDANE ROAD
EATON BANK TRADING ESTATE
CONGLETON
CHESHIRE
CW12 1PN
+ 44 (0) 1260 281431

 **Mactech**
(EUROPE) LIMITED

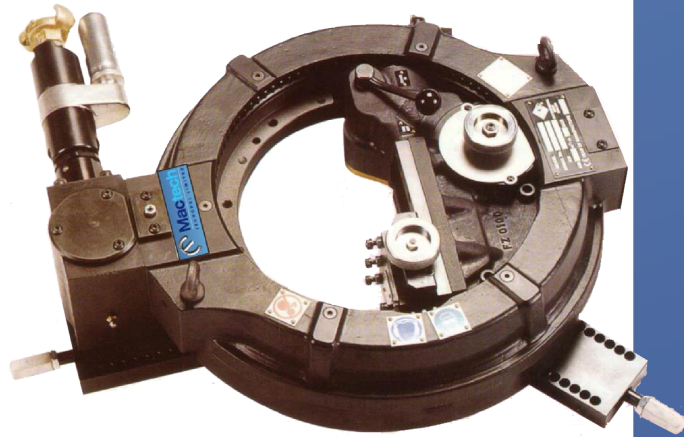
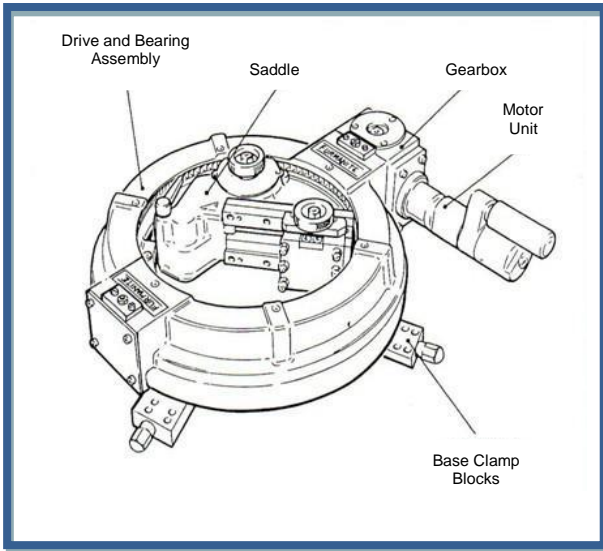
www.mactech europe.co.uk
info@mactech europe.co.uk

ABERDEEN OFFICE
MACTECH HOUSE
HOWE MOSS DRIVE
KIRKHILL IND. ESTATE
DYCE
ABERDEEN
AB21 0GL
+ 44 (0) 1224 722666



Mactech Europe

MTF012 Flange Facing Machines



Mactech MTF012 is constructed, as is the rest of the range, from the highest quality materials. It is designed to give machine shop accuracy combined with ease of handling and portability in the flange range of 0-305mm (0" to 12").

The machine consists of three main assemblies:

Base Ring Assembly

Four separate adjustable clamp blocks are provided which may be positioned on the base ring to suit the size of flange being machined.

Drive and Bearing

The machine is driven by a 0.66kw (0.85hp) pneumatic motor, which is mounted directly to the drive bearing assembly and is quickly detachable.

Saddle

The saddle is mounted on the drive and bearing assembly and provides a rigid structure to which the toolpost is fixed. Drive input to the saddle is derived from the drive and bearing assembly, internal gear arrangement and saddle gear pick-up gear in a planetary motion.

Toolpost traverse in and out is provided by a lead screw which is driven by the saddle gear train. Direction is selected by the traverse selector.

The machine can achieve cuts to a maximum depth of 2mm (0.079") without flanged holes and 1mm (0.039) with flanged holes.

Alternative tool posts can be fitted to the saddle depending on.....

Specifications

Principal dimensions

Height	130mm (5 1/8")
Rotational diameter	305mm (12")
Maximum swing	305mm (12")
Minimum swing	0mm (0")
Toolpost travel	438mm (1 5/8")
Overall diameter	610mm (24")

Weights

Nett weight (less wooden case)	50kg (110lbs)
Total shipping weight	85kg (187lbs)

Wooden case dimensions

Length	800mm (32")
Height	430mm (17")
Width	720mm 28")

General information

Gripping range	minimum size 102mm (4") maximum size 305mm (12")
Flange range	minimum size 0mm (0") maximum size 305mm (12")
Drive motor:	0.66kw (0.85hp)
Minimum air supply requirements	5 bar 2.26m ³ /min (80psi 80cfm)
Drive motor output speed	1600rpm
Final rotational speed	33

Table of Surfacing Feeds

Gearbox	Feed (mm)	Feed (inches)
In	0.81	0.032
Out	0.20	0.008
Hand held	0.5	0.002

Internally Mounted Flange Facing Machines



Mactech
(EUROPE) LIMITED

HEAD OFFICE
MACTECH HOUSE
RIVERDANE ROAD
EATON BANK TRADING ESTATE
CONGLETON
CHESHIRE
CW12 1PN
+ 44 (0) 1260 281431



www.mactech europe.co.uk
info@mactech europe.co.uk

ABERDEEN OFFICE
MACTECH HOUSE
HOWE MOSS DRIVE
KIRKHILL IND. ESTATE
DYCE
ABERDEEN
AB21 0GL
+ 44 (0) 1224 722666