

# Mactech Clamshell Axial Feed



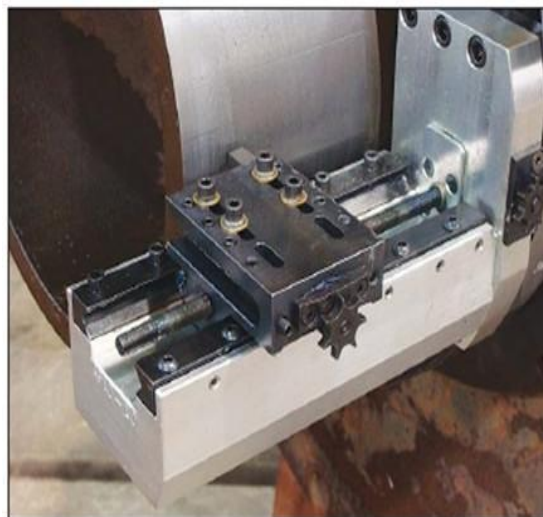
**Extend the Versatility of your Clamshell Lathe!**

Mactech's Axial Feed Accessory is an attachment for our popular and reliable Clamshell Portable Lathes. The Axial Feed Accessory is designed for machining along the length of round pipes, tubes or shafts.

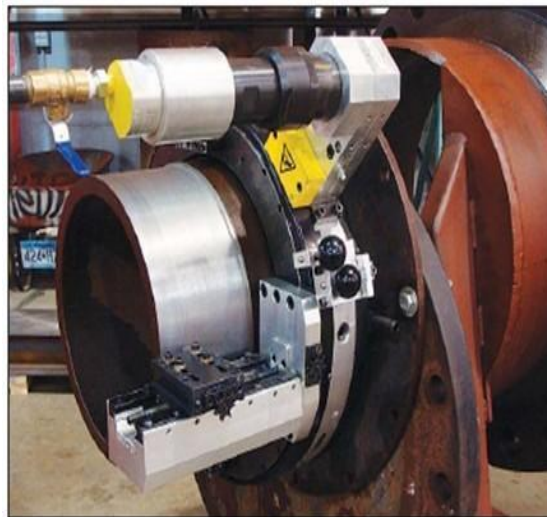
The optional backing plate adds rigidity and provides precise positioning on the workpiece. The Axial Feed Accessory is ideally suited for removing weld overlay and can also perform precise machining operations.

The Axial Feed Accessory can be installed on all Mactech LC, US and USS Clamshell Lathes.

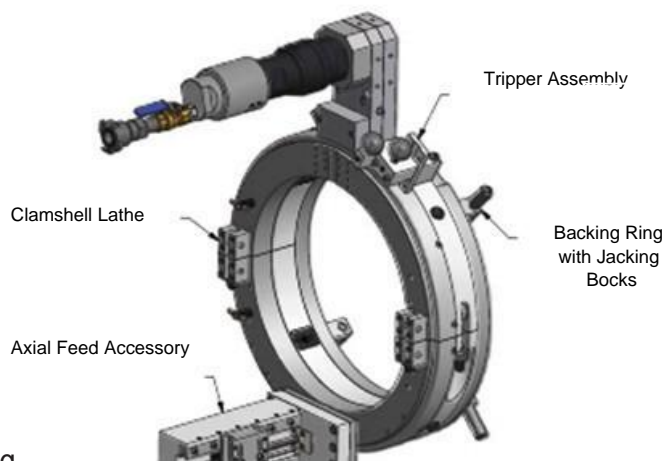
Clamshell Axial Feed Accessory



*Axial Feed Accessory Machining Pipe*



*814LC Clamshell with Axial Feed Accessory*



**Weight:** 18.2 lbs (8.3kg)

**Tooling:** Accepts standard 1/2 inch tooling (12.7mm)

## *Axial Feed Accessory and Backing Ring*



**Mactech**  
(EUROPE) LIMITED

HEAD OFFICE  
MACTECH HOUSE  
RIVERDANE ROAD  
EATON BANK TRADING ESTATE  
CONGLETON  
CHESHIRE  
CW12 1PN  
+ 44 (0) 1260 281431

 **Mactech**  
(EUROPE) LIMITED

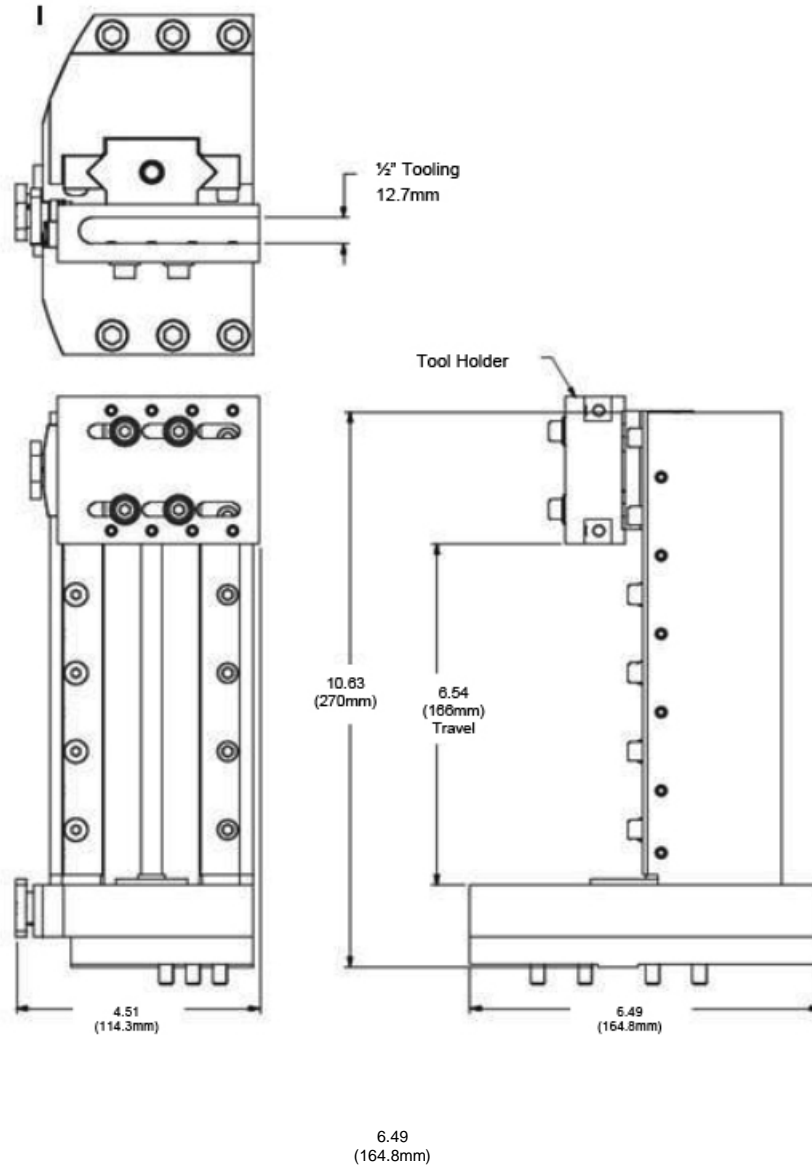
[www.mactech europe.co.uk](http://www.mactech europe.co.uk)  
[info@mactech europe.co.uk](mailto:info@mactech europe.co.uk)

ABERDEEN OFFICE  
MACTECH HOUSE  
HOWE MOSS DRIVE  
KIRKHILL IND. ESTATE  
DYCE  
ABERDEEN  
AB21 0GL  
+ 44 (0) 1224 722666

# Mactech Clamshell Axial Feed



## Clamshell Axial Feed Accessory



*Axial Feed Accessory Dimensions*



**Mactech**  
(EUROPE) LIMITED

HEAD OFFICE  
MACTECH HOUSE  
RIVERDANE ROAD  
EATON BANK TRADING ESTATE  
CONGLETON  
CHESHIRE  
CW12 1PN  
+ 44 (0) 1260 281431



[www.mactecheuropa.co.uk](http://www.mactecheuropa.co.uk)  
[info@mactecheuropa.co.uk](mailto:info@mactecheuropa.co.uk)

ABERDEEN OFFICE  
MACTECH HOUSE  
HOWE MOSS DRIVE  
KIRKHILL IND. ESTATE  
DYCE  
ABERDEEN  
AB21 0GL  
+ 44 (0) 1224 722666