

Mactech Europe LTD



MT30 Rack Drill

Portable Drill With Quick Mount Features

Key Features

- Powerful, quick and easy to use
- Pneumatic or hydraulic options
- Quick mount magnet option mounts easily and strongly to flat, round or tapered surfaces
- V-Block and shift plate mount options available



Mactech MT30 Rack Drill

3 HP, 220 volt hydraulic power supply with remote pendant.

Stud removal
Gamma plug holes
Easy, accurate drilling

Technical Specifications:

Pneumatic Motor: 1.45 maximum HP, 105-220 RPM
Hydraulic Motor: 2.4 HP, 20-450 RPM
Hydraulic Power 3 HP,
Variable frequency drive Supply: 0-3 GPM @ 1500 PSI
Arbor: 3 MT standard Also available in 1" straight shank (female)
Drill Capacity: 1½" Twist, 3" Annular

UK HEAD OFFICE
MACTECH HOUSE
RIVERDANE ROAD
EATON BANK TRADING ESTATE
CONGLETON
CHESHIRE
CW12 1PN
+ 44 (0) 1260 281431



Mactech
(EUROPE) LIMITED

www.mactech europe.co.uk - info@mactech europe.co.uk

DECOMMISSIONING / IN-SITU MACHINING SERVICES / MACHINE SALE & RENTAL

ABERDEEN OFFICE
MACTECH HOUSE
HOWE MOSS DRIVE
KIRKHILL IND. ESTATE
DYCE
ABERDEEN
AB21 0GL
+ 44 (0) 1224 722666



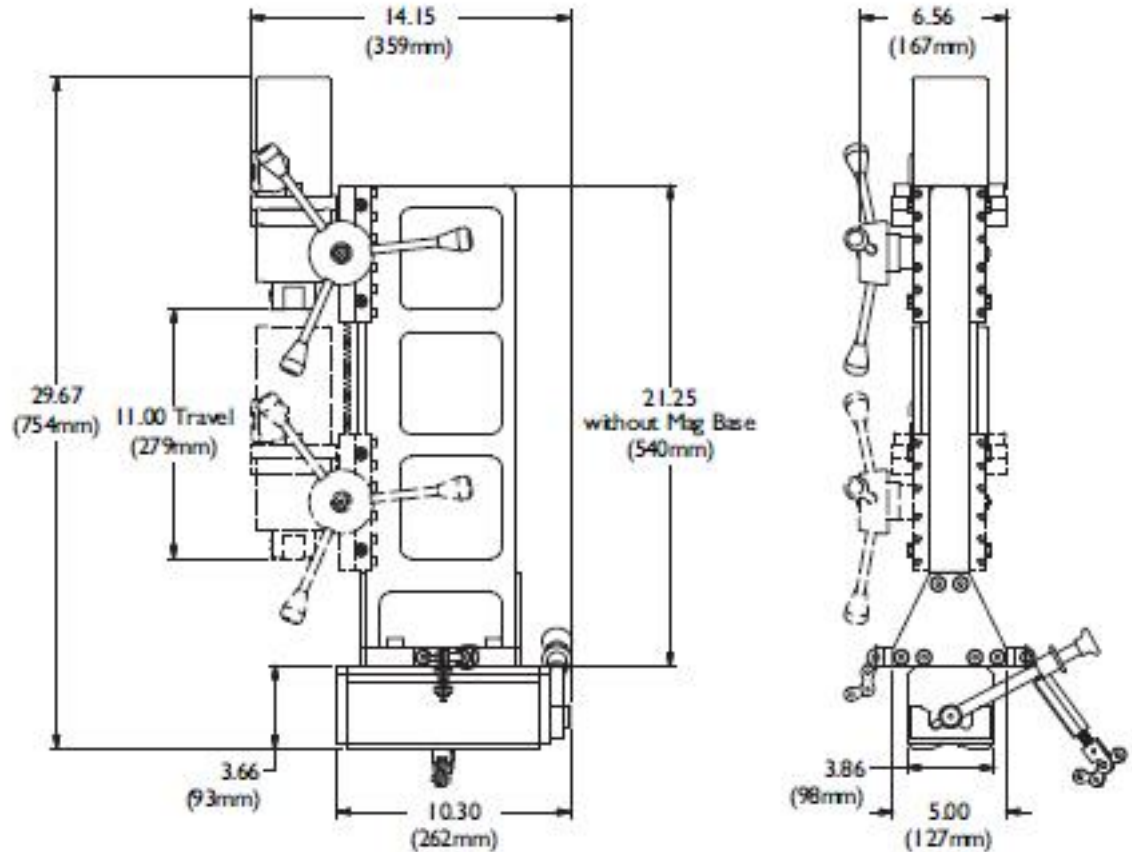
Mactech
(EUROPE) LIMITED

Mactech Europe LTD



MT30 Rack Drill

MT30 Rack Drill with Hydraulic Motor and Magnetic Base



Hydraulic Motor Performance Specifications

Displacement	Torque@2-6 gpm	Torque@6-10 gpm	Torque@10-15 gpm
	RPM	RPM	RPM
9.7 in ³ /rev	101-102 ft-lbs	99-101 ft-lbs	98-99 ft-lbs
	44-138	138-232	232-348

Note: Performance is based on hydraulic power supply of 1000 psi continuous pressure

Mactech MT30 Rack Drill



Mactech
(EUROPE) LIMITED

UK HEAD OFFICE
MACTECH HOUSE
RIVERDANE ROAD
EATON BANK TRADING ESTATE
CONGLETON
CHESHIRE
CW12 1PN
+ 44 (0) 1260 281431



www.mactechurope.co.uk - info@mactechurope.co.uk

DECOMMISSIONING / IN-SITU MACHINING SERVICES / MACHINE SALE & RENTAL

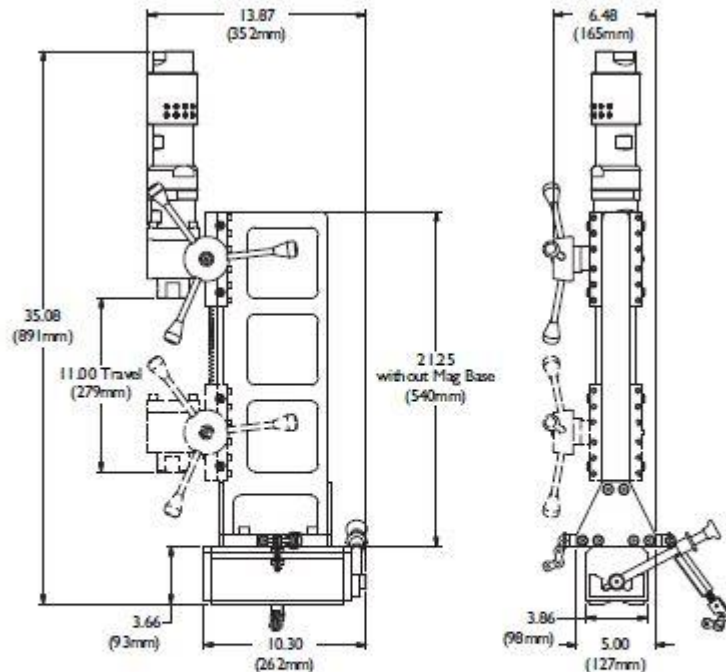
ABERDEEN OFFICE
MACTECH HOUSE
HOWE MOSS DRIVE
KIRKHILL IND. ESTATE
DYCE
ABERDEEN
AB21 0GL
+ 44 (0) 1224 722666

Mactech Europe LTD



MT30 Rack Drill

MT30 Rack Drill with Air Motor and Magnetic Base



Air Motor Performance Specifications

Motor Option	Max Output	Torque at Max Output	Speed at Max Output	Air Consumption at Max Output
A	2.41 hp	100 ft-lbs	128 rpm	76.3 cfm
B	2.41 hp	164 ft-lbs	77 rpm	76.3 cfm

Note: Performance is based on air supply of 91 psi continuous pressure

Arbor

- #3 Morse Taper
- 1 inch female straight shank

Drill Capacity

- 1-1/2 inch twist drill
- 3 inch annular

Magnetic Mounting Base

- Max Load - Flat Surface: 1100 lbs (499kg)
- Max Load - Round Surface: 550 lbs (249.4kg)
- Detachment Force: 3575 lbs (1621.6kg)

Weights

- Rack Drill with Hydraulic Motor: 42 lbs (19kg)
- Rack Drill with Air Motor: 45 lbs (20kg)
- Magnetic Base: 35 lbs (15.9kg)
- Hanger Bracket: 17 lbs (8kg)



Mactech
(EUROPE) LIMITED

UK HEAD OFFICE
MACTECH HOUSE
RIVERDANE ROAD
EATON BANK TRADING ESTATE
CONGLETON
CHESHIRE
CW12 1PN
+ 44 (0) 1260 281431



Mactech
(EUROPE) LIMITED

www.mactech europe.co.uk - info@mactech europe.co.uk

DECOMMISSIONING / IN-SITU MACHINING SERVICES / MACHINE SALE & RENTAL

ABERDEEN OFFICE
MACTECH HOUSE
HOWE MOSS DRIVE
KIRKHILL IND. ESTATE
DYCE
ABERDEEN
AB21 0GL
+ 44 (0) 1224 722666