

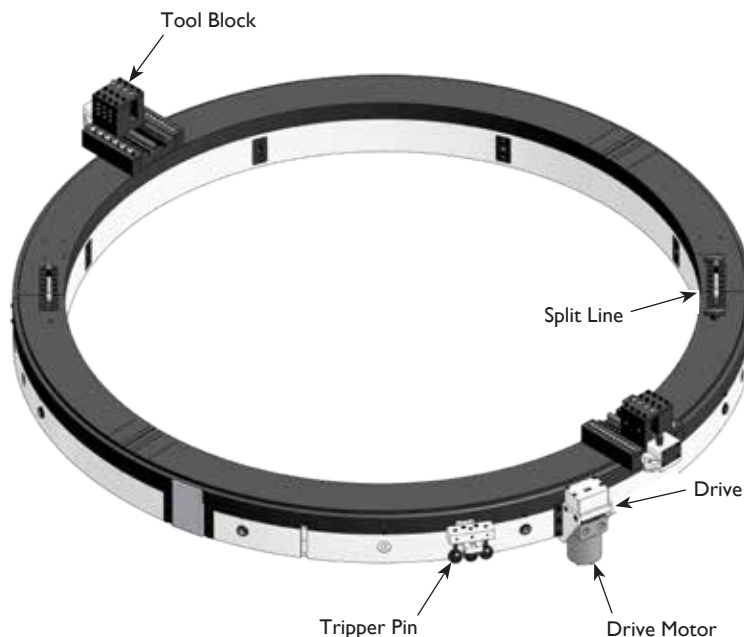
Rental Units
in the UK &
Internationally

Mactech Europe 860WD Clamshell Lathe

Mactech Europe

860WD Clamshell Lathe

Portable Machining Solutions



Options

- Full line of tool bits
- Right angle and reversable drives
- Single Point machining attachment
- Axial feed machining attachment
- Counter-bore / Facing attachment
- Hydraulic Power Unit

Application Range

48 to 60 inch (1219 to 1524mm) diameter pipe, or NPS 48 to NPS 60 schedule pipe

Feed

Feed Mechanism: 4 point starwheel with 3-pin tripper feed. Feed Rate: .002, .004 or .006 inches per revolution (0.05, 0.11 or 0.16 mm).

Drive System- Hydraulic Drive

Air Drive

Air supply requirement: 100 cfm @100 psi (2.8 m3/min @ 6.9 bar)

Hydraulic Drive

HPU requirement: 10-15 gpm @ 1000 psi (38-57 lpm @ 69 bar) continuous pressure Hydraulic motor includes hose whips and quick-disconnects

Weights (includes tool blocks and drive motor)

Operating Weights

860WD Air Drive: 917 lbs. (440 kg)

860WD Hydraulic Drive: 984 lbs. (446 kg)

Shipping Weights

860WD Air Drive: 1350 lbs. (612 kg)

860WD Hydraulic Drive: 1362 lbs. (618 kg)

Features

- Sever or simultaneous Sever / Bevel 48 to 60 inch diameter pipe, or NPS 48 to NPS 60 schedule pipe
- Cold cutting in hazardous environments
- Exceptionally rigid, split frame for precise on-site machining
- Lightweight, low clearance design for easy handling in tight working spaces
- Tool holder accepts standard 3/4 or 1 inch square tool bits
- Air Caddy (air filter and oiler) included with air drive systems
- Custom setups and drives available for your application

HEAD OFFICE
MACTECH HOUSE
RIVERDANE ROAD
EATON BANK TRADING ESTATE
CONGLETON
CHESHIRE
CW12 1PN
+ 44 (0) 1260 281431



www.mactech europe.co.uk
info@mactech europe.co.uk

ABERDEEN OFFICE
MACTECH HOUSE
HOWE MOSS DRIVE
KIRKHILL IND. ESTATE
DYCE
ABERDEEN
AB21 0GL
+ 44 (0) 1224 722666



Mactech
(EUROPE) LIMITED

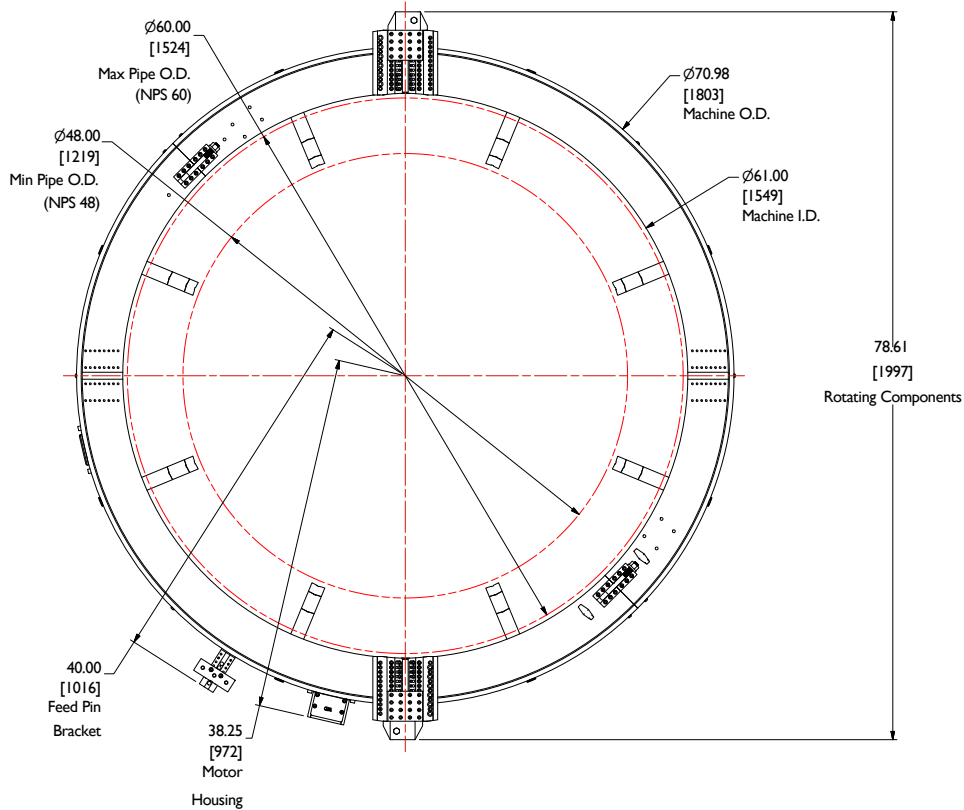
Rental Units
in the UK &
Internationally

Mactech Europe

860WD Clamshell Lathe



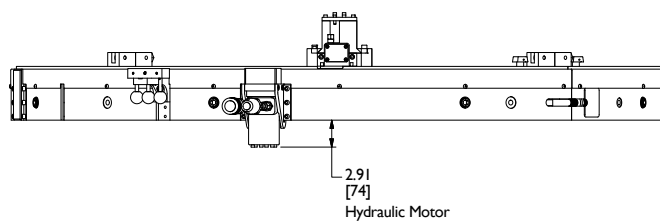
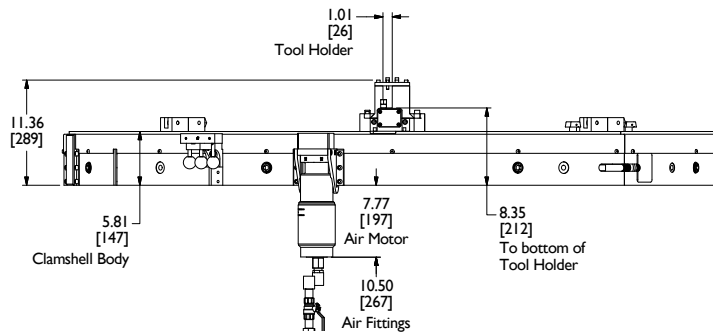
Mactech Europe 860WD Clamshell Lathe



860WD Nominal Pipe Size (NPS) Application Range

Nominal Pipe Size (in.)	Schedule No.	Wall Thickness (in.)	Inside Diameter (in.)
48 (48.000)	ST, 40S XS, 80S	0.375 0.500	47.250 47.000
54 (54.000)	ST XH	0.375 0.500	53.250 53.000

Nominal Pipe Size (in.)	Schedule No.	Wall Thickness (in.)	Inside Diameter (in.)
60 (60.000)	40S, ST 80S, XH	0.375 0.500	59.250 59.000



HEAD OFFICE
MACTECH HOUSE
RIVERDANE ROAD
EATON BANK TRADING ESTATE
CONGLETON
CHESHIRE
CW12 1PN
+ 44 (0) 1260 281431



www.mactech europe.co.uk
info@mactech europe.co.uk

ABERDEEN OFFICE
MACTECH HOUSE
HOWE MOSS DRIVE
KIRK HILL IND. ESTATE
DYCE
ABERDEEN
AB21 0GL
+ 44 (0) 1224 722666



Mactech
(EUROPE) LIMITED