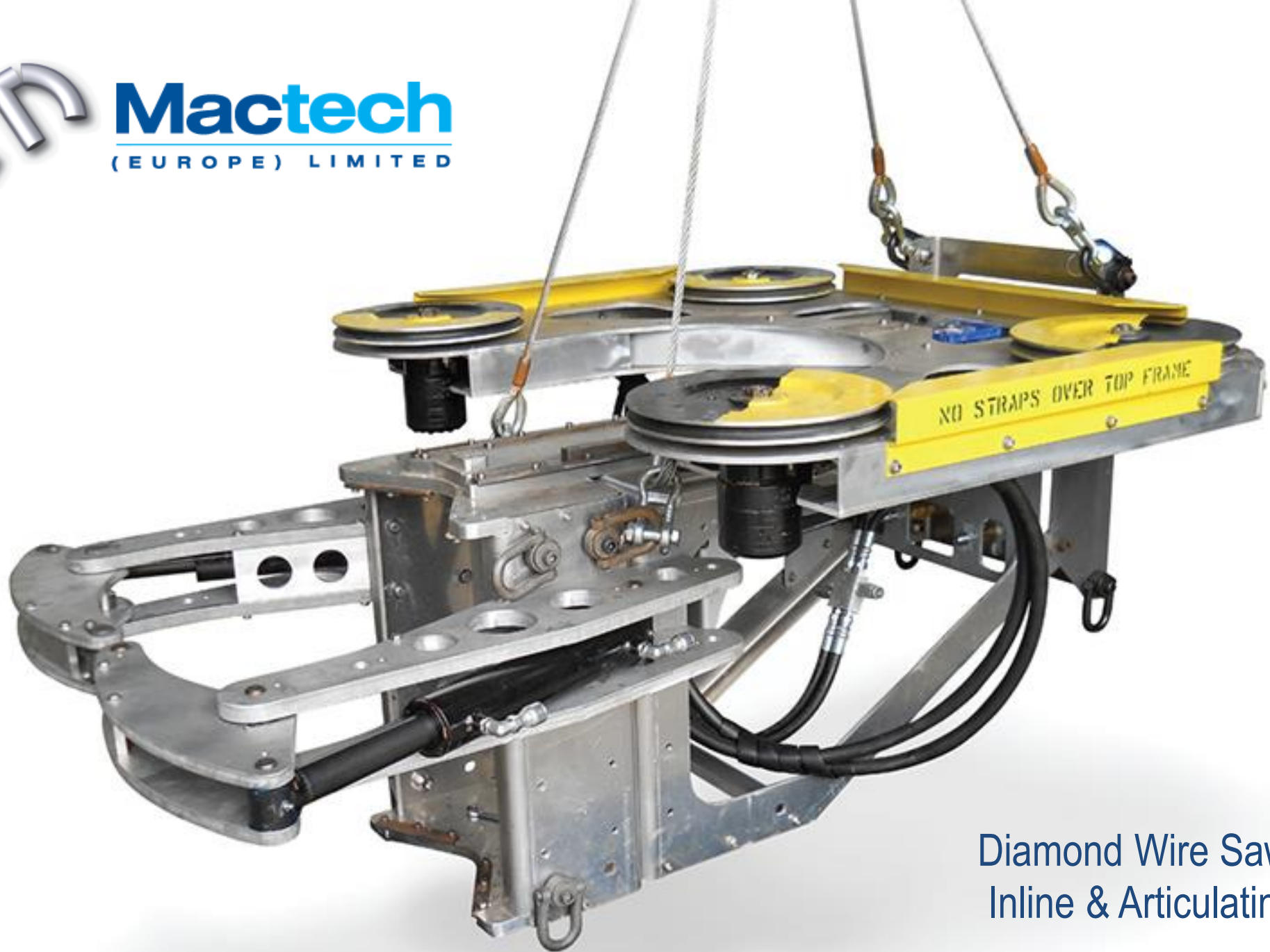




Mactech
(EUROPE) LIMITED



Diamond Wire Saws
Inline & Articulating

DWS – 16co

- Cuts pipe and casing 4" to 16" diameter
- Hydraulic feed and clamping system
- Lightweight and portable design

Minimum Hydraulic System Requirements

- Drive 12 gpm @ 200 psi
- Feed 0.5 gpm @ 650 psi
- Clamp 2 gpm @ 1700 psi



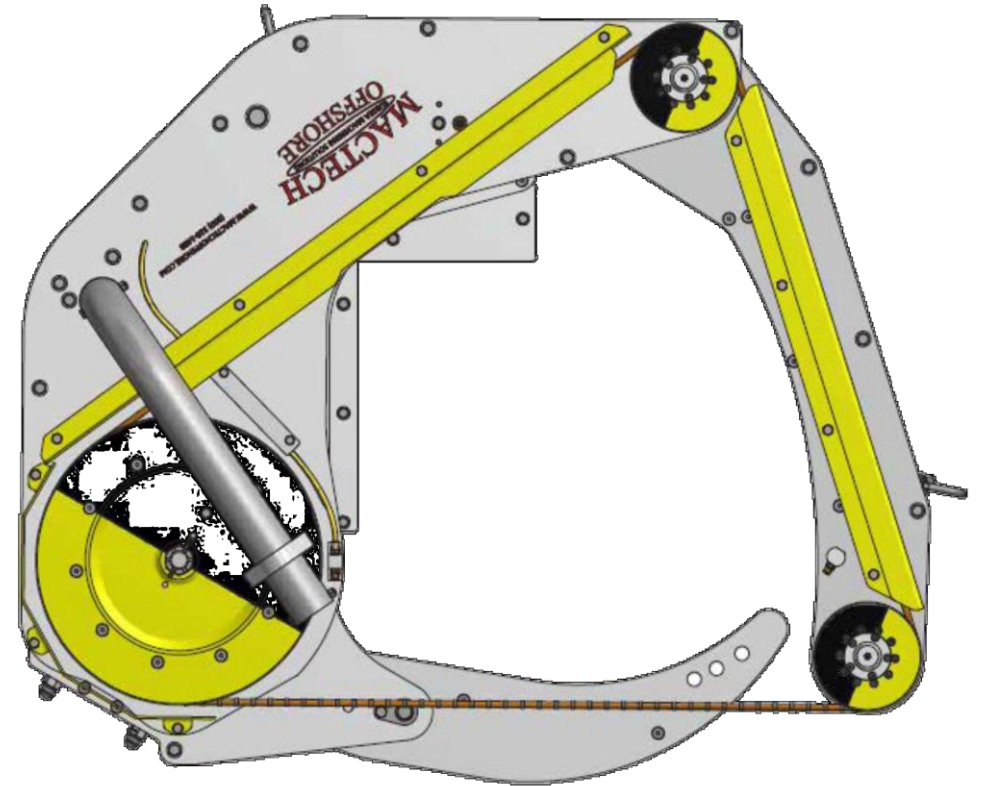
16 Inch Cut-Off Saw

DWS – 24co

- Cuts pipe and casing 16" to 24" diameter round
- Cuts pipe and casing 10" to 20" diameter square
- Hydraulic feed and clamping system
- Lightweight and portable design

Minimum Hydraulic System Requirements

- Drive 12 gpm @ 200 psi
- Feed 0.5 gpm @ 650 psi
- Clamp 2 gpm @ 1700 psi



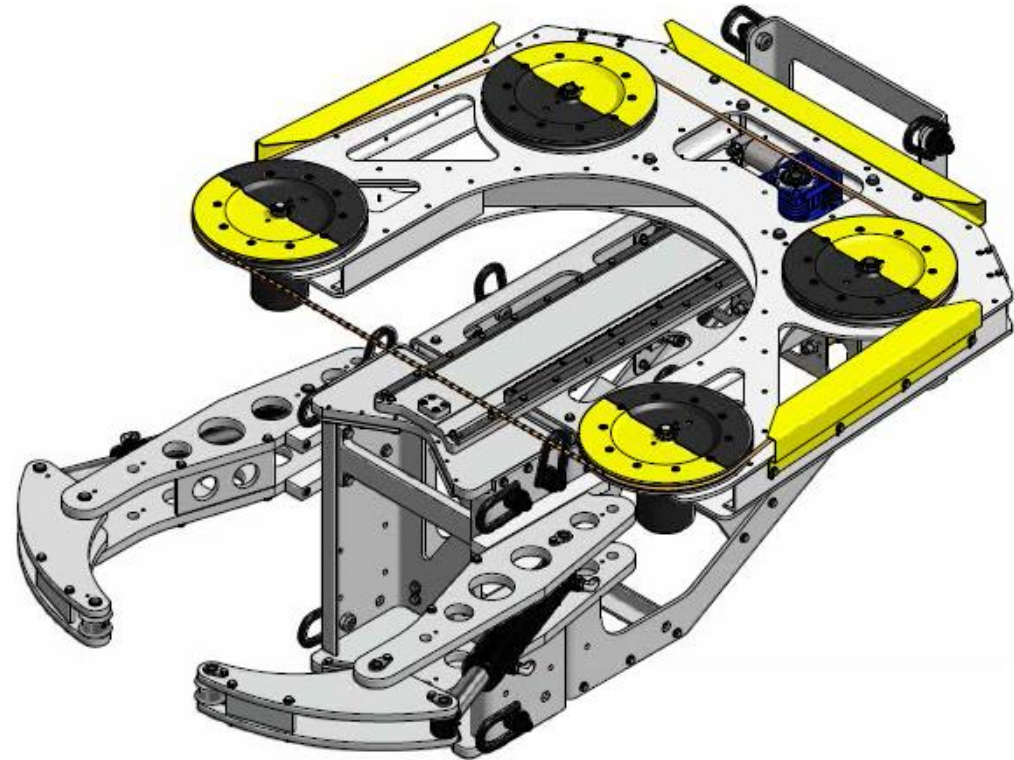
24 Inch Cut-Off Saw

DWS – 26i (Patent Pending)

- Cuts pipe and casing 8" to 26" diameter
- Hydraulic feed and clamping system
- ROV Compatible

Minimum Hydraulic System Requirements

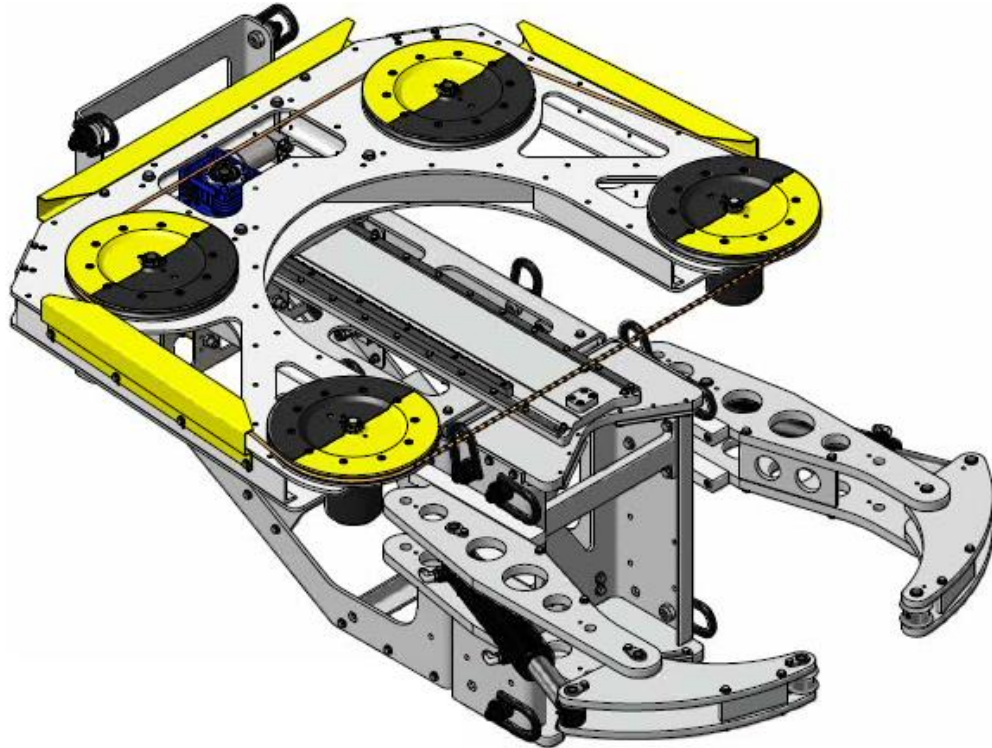
- Drive 24 gpm @ 200 psi
- Feed 2 gpm @ 500 psi
- Clamp 2 gpm @ 1500 psi



26" Inline Saw



Mactech
(EUROPE) LIMITED



30" Inline Saw

DWS – 30i (Patent Pending)

- Cuts pipe and casing 16" to 30" diameter
- Hydraulic feed and clamping system
- ROV Compatible

Minimum Hydraulic System Requirements

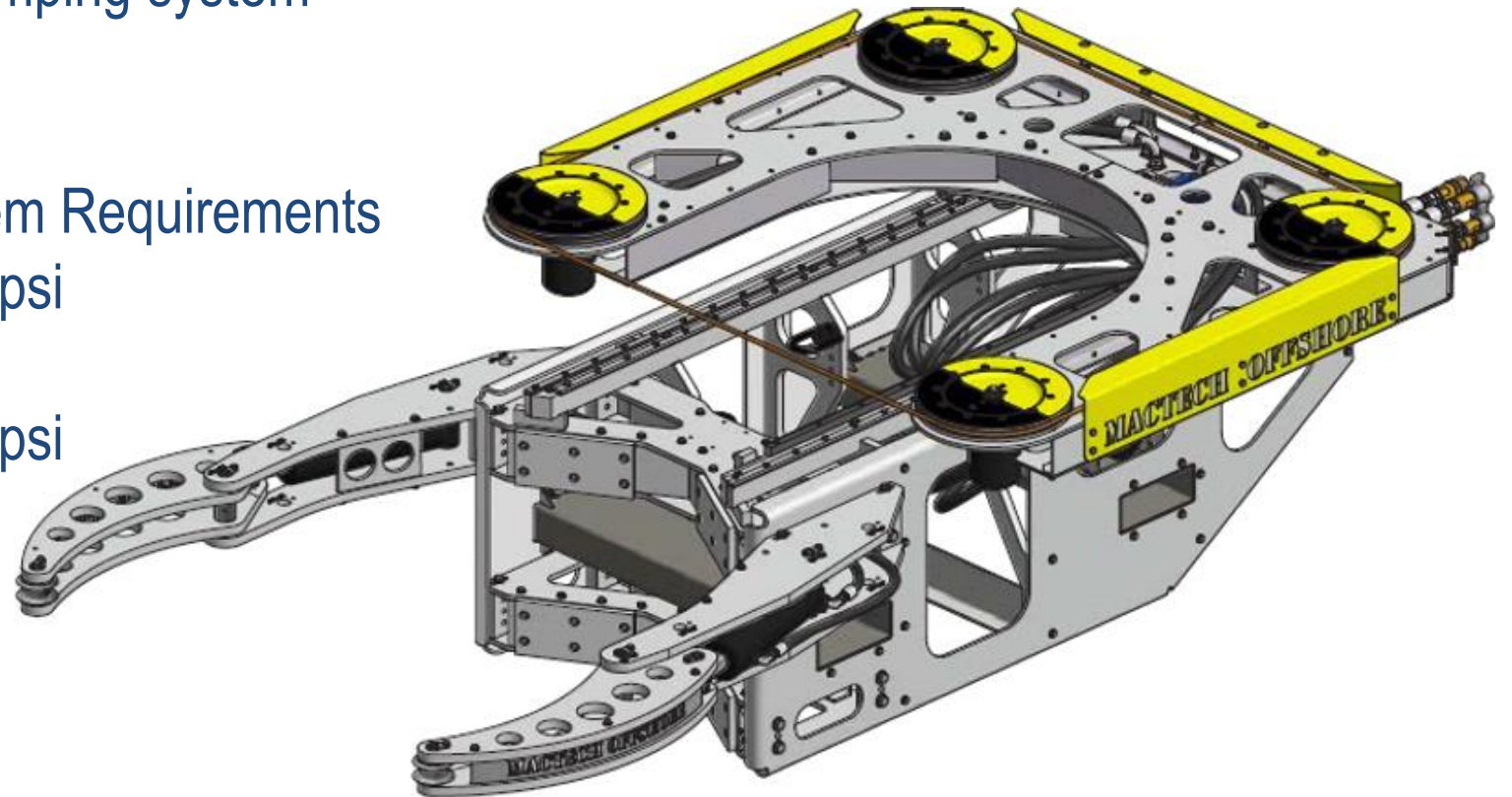
- Drive 24 gpm @ 200 psi
- Feed 2 gpm @ 500 psi
- Clamp 2 gpm @ 1500 psi

DWS – 40i (Patent Pending)

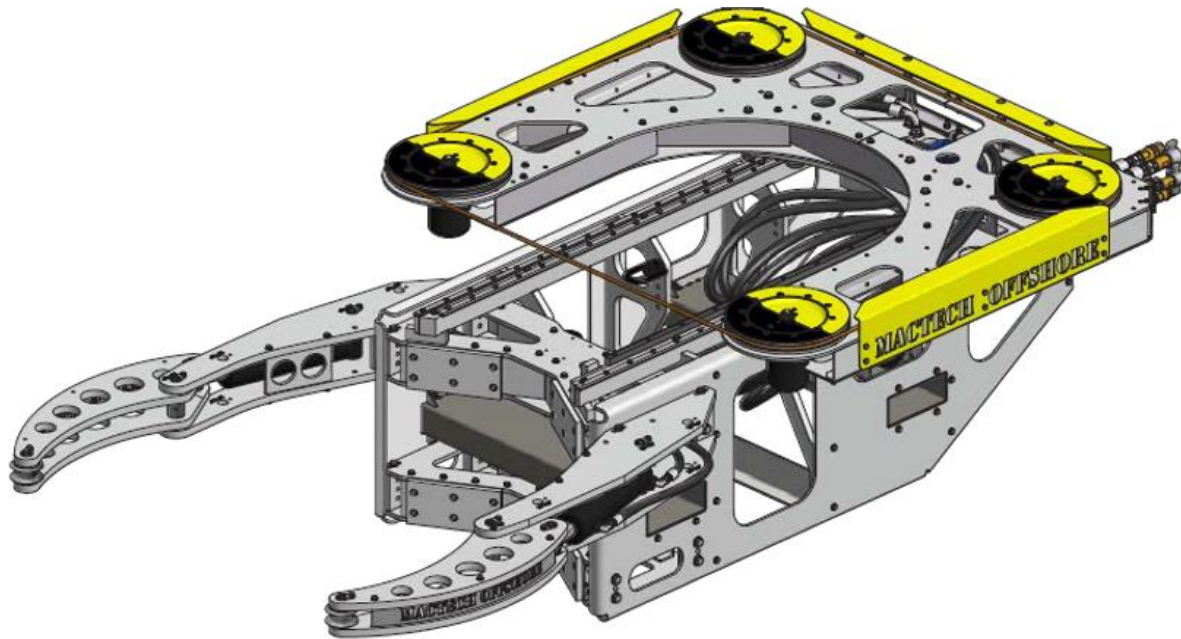
- Cuts pipe and casing 20” to 48” diameter
- Hydraulic feed and clamping system

Minimum Hydraulic System Requirements

- Drive 24 gpm @ 2000 psi
- Feed 2 gpm @ 650 psi
- Clamp 2 gpm @ 1500 psi



40” Inline Saw



DWS – 48i (Patent Pending)

- Cuts pipe and casing 20” to 48” diameter
- Hydraulic feed and clamping system

Minimum Hydraulic System Requirements

- Drive 24 gpm @ 2000 psi
- Feed 2 gpm @ 650 psi
- Clamp 2 gpm @ 1500 psi

48” Inline Saw

DWS – 40a (US Patent #8,651,098)

- Cuts pipe and casing 22” to 40” diameter
- Hydraulic feed and clamping system
- Articulating feed design reduces excavation area saves deck space

Minimum Hydraulic System Requirements

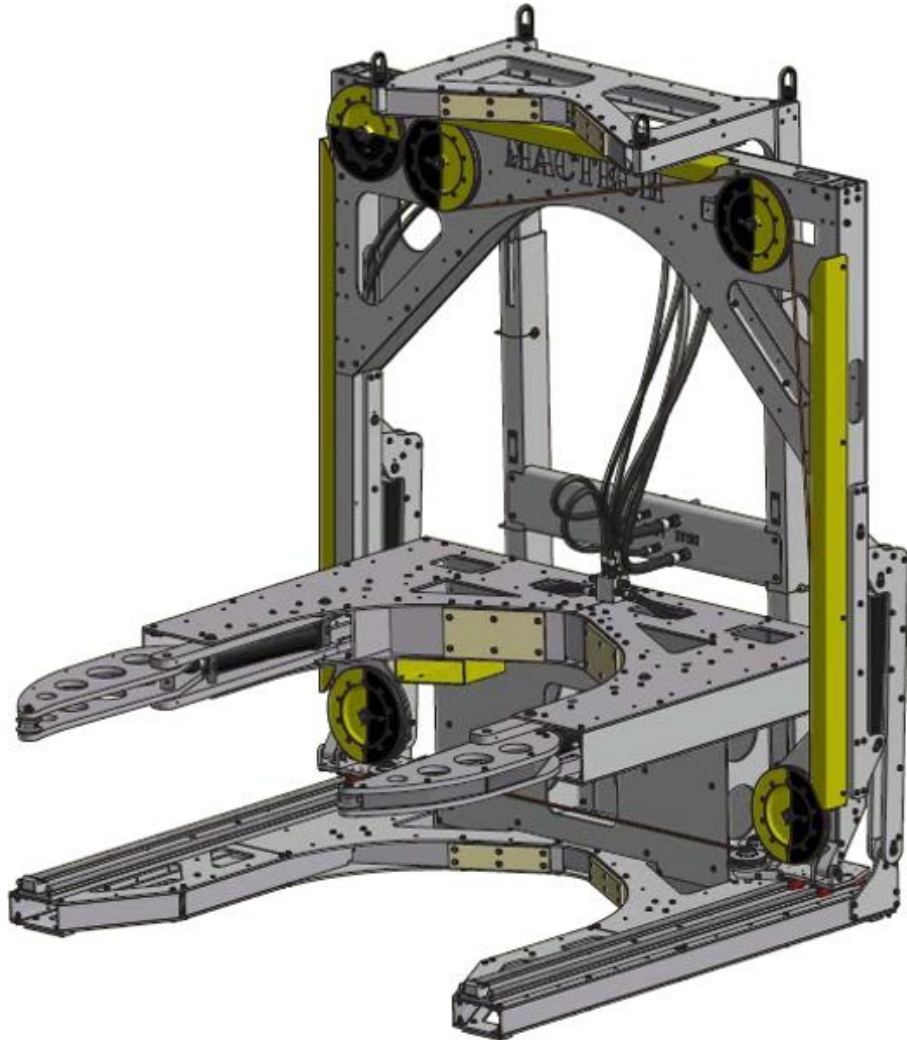
- Drive 24 gpm @ 2000 psi
- Feed 2 gpm @ 650 psi
- Clamp 2 gpm @ 1500 psi



40” Articulating Saw



Mactech
(EUROPE) LIMITED



DWS – 60a (Patent Pending)

- Cuts pipe and casing 26” to 60” diameter
- Hydraulic feed and clamping system
- Articulating feed design reduces excavation area and saves deck space

Minimum Hydraulic System Requirements

- Drive 30 gpm @ 2000 psi
- Feed 2 gpm @ 650 psi
- Clamp 2 gpm @ 1500 psi

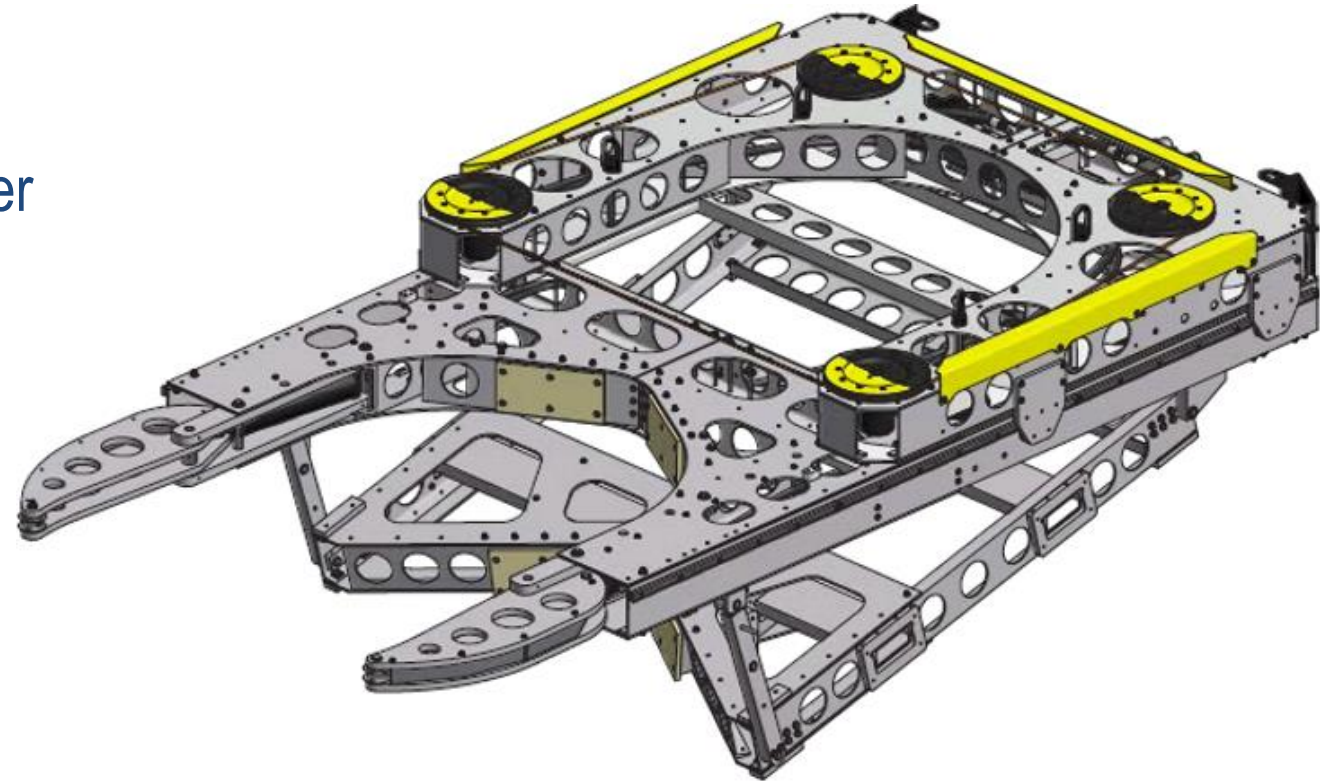
60” Articulating Saw

DWS – 60i (Patent Pending)

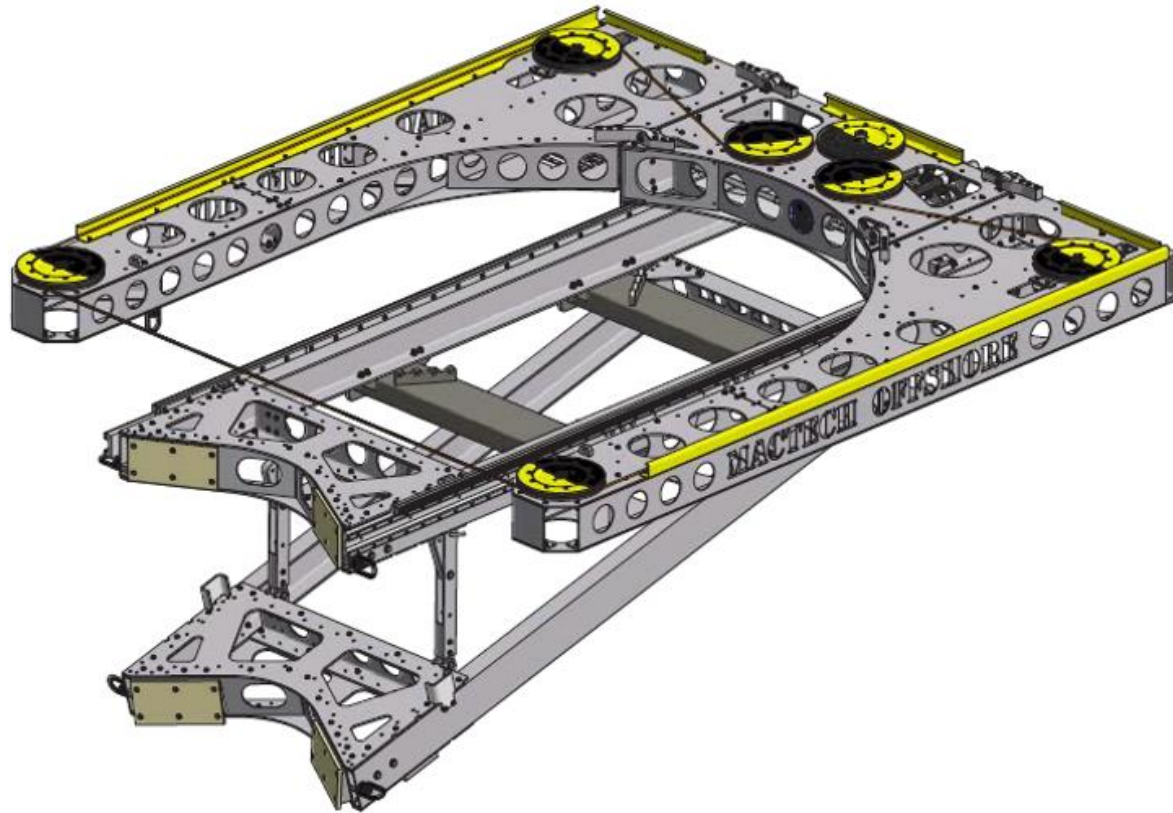
- Cuts pipe and casing 26" to 60" diameter
- Hydraulic feed and clamping system

Minimum Hydraulic System Requirements

- Drive 24 gpm @ 2000 psi
- Feed 2 gpm @ 1200 psi
- Clamp 2 gpm @ 1500 psi



60" Inline Saw



DWS – 102i (Patent Pending)

- Cuts pipe and casing 48” to 102” diameter
- Hydraulic feed and clamping system
- Folding Arms save deck space

Minimum Hydraulic System Requirements

- Drive 30 gpm @ 2000 psi
- Feed 2 gpm @ 1200 psi

102” Inline Saw



Diamond Wire Saw Technical Numbers

Model	Cutting Capacity	Operational Dimensions	Shipping Dimensions	Operating Weight	Shipping Weight
DWS – 16co Cut-Off Saw	4” to 16”	42 x 24 x 10 Inches	60 x 40 x36 Inches	210 LBS	650 LBS
DWS -26i Inline Frame	8” to 26”	86 x 61 x 40 Inches	86 x 61 x43 Inches	1025 LBS	1325 LBS
DWS – 30i Inline Frame	16” to 30”	86 x 65 x40 Inches	86 x 65 x 43 Inches	1050 LBS	1350 LBS
DWS – 40a Articulating Frame	22” to 40”	60 x 107 x 86 Inches	86 x 107 x60 Inches	2400 LBS	2550 LBS
DWS – 40i Inline Frame	20” to 40”	133 x 74 x 38 Inches	109 x 74 x38 Inches	1650 LBS	1650 LBS
DWS – 48i Inline Frame	20” to 48”	134 x 82 x 38 Inches	115 x82 x38 Inches	1680 LBS	1680 LBS
DWS – 60a Articulating Saw	26” to 60”	102 x 109 x 128 Inches	98 x 109 x 97 Inches	3200 LBS	3200 LBS
DWS – 60i Inline Frame	26” to 60”	165 x 98 x 65 Inches	145 x 98 x 33 Inches	2575 LBS	2575 LBS
DWS – 102i Inline Frame	48” to 102”	165 x 138 69 Inches	165 x 60 x 73 Inches	2375 LBS	2450 LBS



Head Office: Mactech
(Europe) LTD
Riverdane Road
Eaton Bank Trading
Estate Congleton
Cheshire
CW12 1PN
T: +44 (0)1260 281431

Aberdeen Office:
Mactech (Europe) LTD
Mactech House
Howe Moss Drive Kirkhall
Industrial Estate Dyce
Aberdeen
AB21 0GL
Tel: + 44 (0) 1224 722666

www.mactech europe.co.uk

Like a Demonstration or More Information Call Mactech Europe Today