

Rental Units
in the UK &
Internationally

Mactech MBMC4 Portable Boring Systems

Mactech Europe

MBMC4 Portable Boring Systems

Portable Machining Solutions



MBMC4 Portable Boring System is Mactech's premier system for on-site machining, where accuracy and portability are of utmost importance.

The MBMC4 can cut in any position, at any angle. The feed mechanism allows machining along the full length of the boring bar, and stackable boring heads reach to your largest diameters.

Setup is quick and easy even in the most challenging environments.

The MBMC4 Portable Boring System is a proven, reliable and affordable solution to your on-site machining needs.



On-site rudder tube machining with MBMC4 Boring System positioned vertically

MBMC4 in Shipping Crate with Components and Accessories

The MBMC4 Portable Boring System comes complete with:

- Selection of Boring Heads
- Boring Bar
- Gear Drive
- Drive Motor
- Spherical bearings
- Spider Bearings
- Split Set Collars
- Mounting Bridges
- Mounting Knees
- Hardware
- Optional Facing Arm



Mactech
(EUROPE) LIMITED

HEAD OFFICE
MACTECH HOUSE
RIVERDANE ROAD
EATON BANK TRADING ESTATE
CONGLETON
CHESHIRE
CW12 1PN
+ 44 (0) 1260 281431

 **Mactech**
(EUROPE) LIMITED

www.mactech europe.co.uk
info@mactech europe.co.uk

ABERDEEN OFFICE
MACTECH HOUSE
HOWE MOSS DRIVE
KIRKHILL IND. ESTATE
DYCE
ABERDEEN
AB21 0GL
+ 44 (0) 1224 722666

Rental Units
in the UK &
Internationally

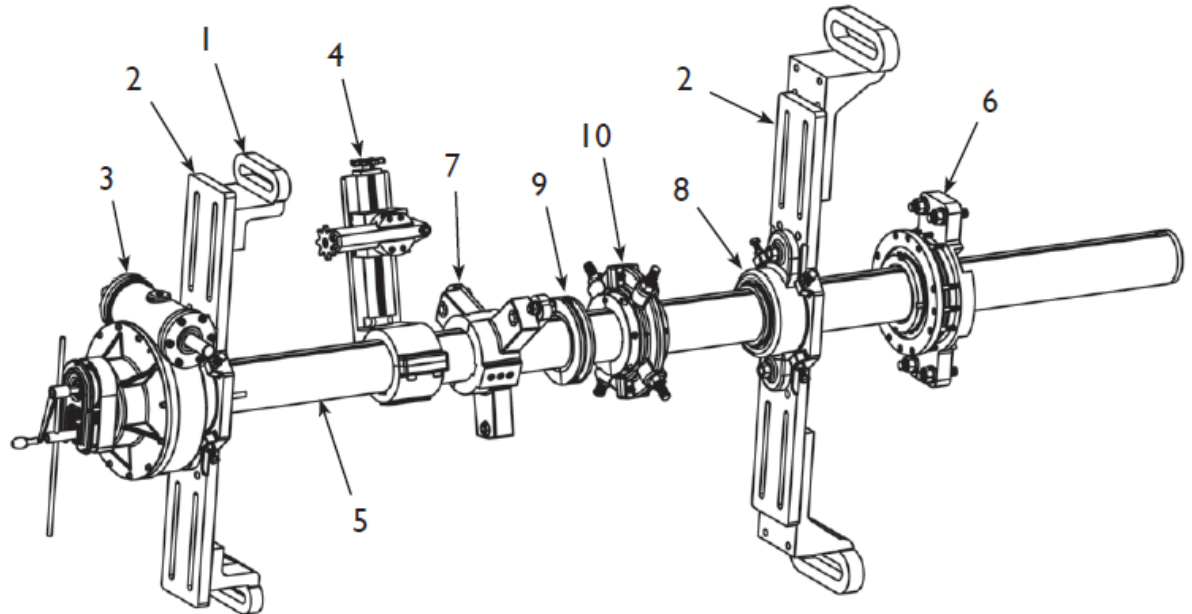
Mactech Europe

MBMC4 Portable Boring Systems

Portable Machining Solutions



Mactech MBMC4 Portable Boring Systems



Item	Part No.	Description	Qty
1	720-0432 ASSY	4-inch Mounting Knee	4
2	720-0431 ASSY	4-inch Mounting Bridge, 31.5 inches long	2
3	720-0450	4-inch Gear Drive	1
4	720-0452	4 inch Facing Arm Assembly, 12 <u>inch</u>	1
5	720-0460-120 ASSY	4-inch Boring Bar Assembly, 10 ft.	1
6	723-0401	4-inch Spherical Bearing Assembly	1
7	720-0454-20	4-inch x <u>20 inch</u> Boring Head Assembly	1
8	720-0421	4-inch Tail Bearing	1
9	120-0105	4-inch Split Set Collar	1
10	720-0406	4-inch Split Spider Bearing Assembly	1

For over 25 years, Mactech has been a leading supplier of portable machine tools, on-site machining and stress-relieving services.

We take a personal interest in your job, and will assist you with the most comprehensive support in the industry.

Our professional on-site technicians are experts in the operation, repair and assembly of every tool.

Mactech's experience in field service and custom tool design brings innovative and productive solutions to every job.



Mactech
(EUROPE) LIMITED

HEAD OFFICE
MACTECH HOUSE
RIVERDANE ROAD
EATON BANK TRADING ESTATE
CONGLETON
CHESHIRE
CW12 1PN
+ 44 (0) 1260 281431



www.mactechurope.co.uk
info@mactechurope.co.uk

ABERDEEN OFFICE
MACTECH HOUSE
HOWE MOSS DRIVE
KIRKHILL IND. ESTATE
DYCE
ABERDEEN
AB21 0GL
+ 44 (0) 1224 722666