

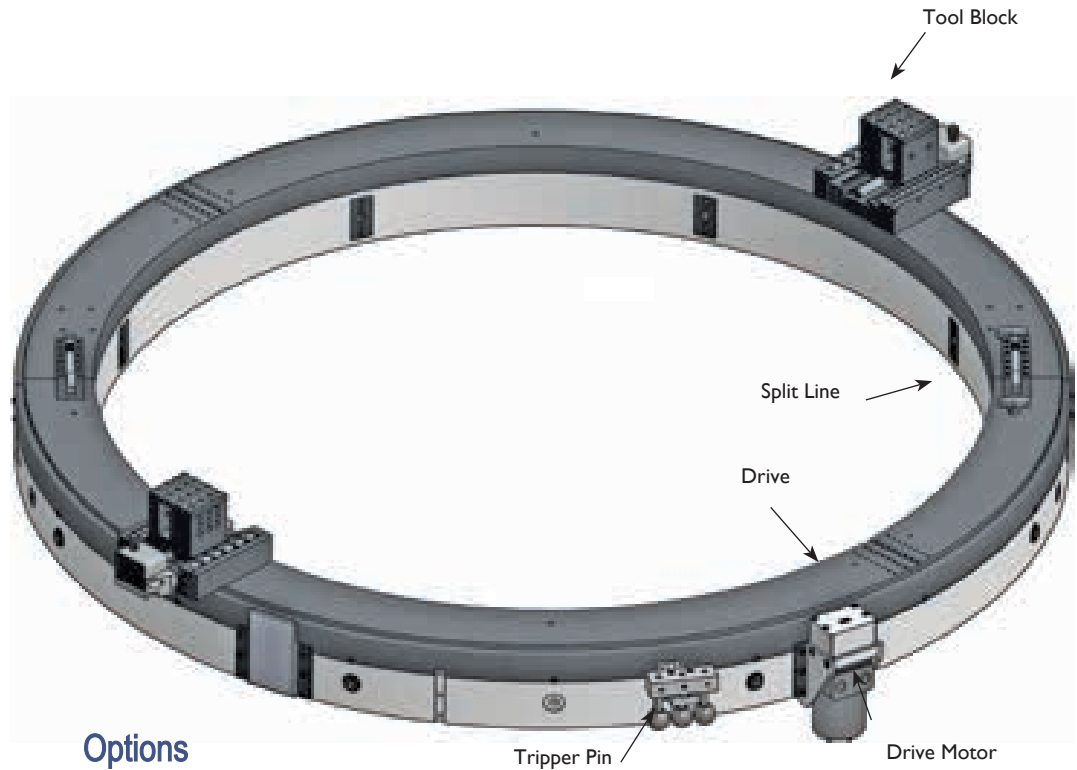
Rental Units
in the UK &
Internationally

Mactech Europe 856WD Clamshell Lathe

Mactech Europe

856WD Clamshell Lathe

Portable Machining Solutions



Options

- Full line of tool bits
- Right angle and reversible drives
- Single Point machining attachment
- Axial Feed machining attachment
- Counterbore/Facing attachment
- Hydraulic Power Unit



Features

- Sever or simultaneous Sever / Bevel 44 to 56 inch diameter pipe
- Cold cutting in hazardous environments
- Exceptionally rigid, split frame for precise on-site machining
- Lightweight, low clearance design for easy handling in tight working spaces
- Tool holder accepts standard 3/4 or 1 inch square tool bits
- Air Caddy (air filter and oiler - not subsea) included with air drive systems
- Custom setups and drives available for your application

HEAD OFFICE
MACTECH HOUSE
RIVERDANE ROAD
EATON BANK TRADING ESTATE
CONGLETON
CHESHIRE
CW12 1PN
+ 44 (0) 1260 281431



www.mactech europe.co.uk
info@mactech europe.co.uk

ABERDEEN OFFICE
MACTECH HOUSE
HOWE MOSS DRIVE
KIRK HILL IND. ESTATE
DYCE
ABERDEEN
AB21 0GL
+ 44 (0) 1224 722666



Mactech
(EUROPE) LIMITED

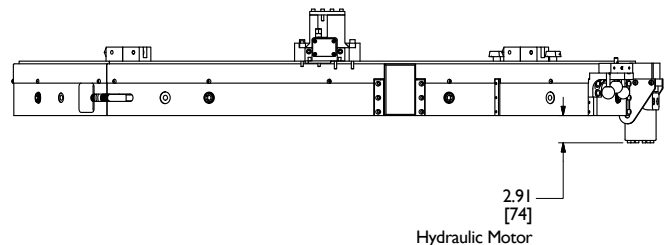
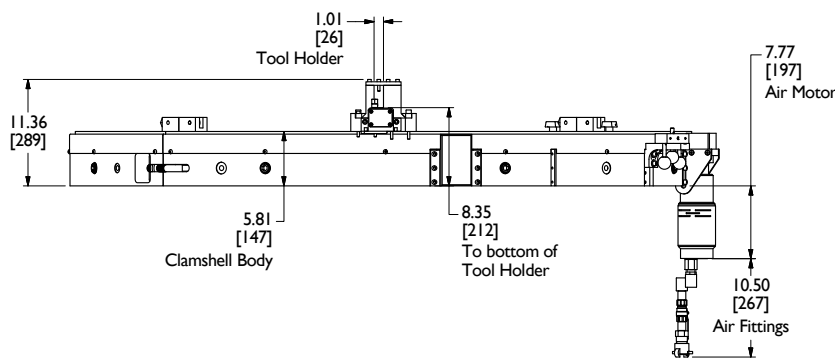
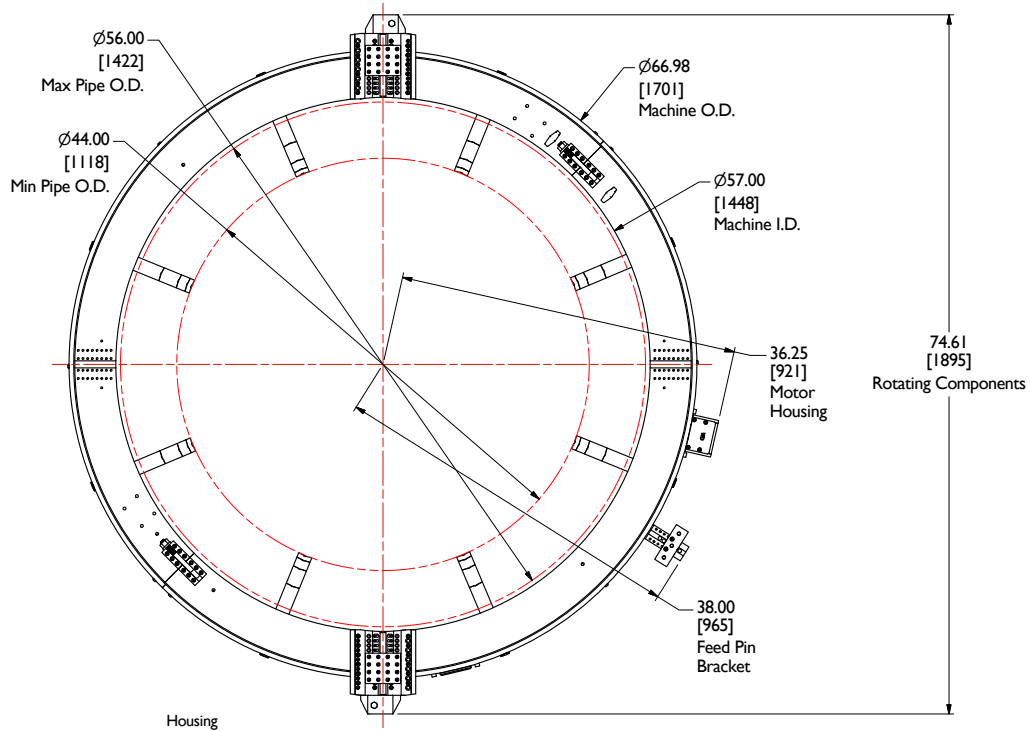
Rental Units
in the UK &
Internationally

Mactech Europe

856WD Clamshell Lathe



Mactech Europe 856WD Clamshell Lathe



Mactech
(EUROPE) LIMITED

HEAD OFFICE
MACTECH HOUSE
RIVERDANE ROAD
EATON BANK TRADING ESTATE
CONGLETON
CHESHIRE
CW12 1PN
+ 44 (0) 1260 281431



www.mactech europe.co.uk
info@mactech europe.co.uk

ABERDEEN OFFICE
MACTECH HOUSE
HOWE MOSS DRIVE
KIRK HILL IND. ESTATE
DYCE
ABERDEEN
AB21 0GL
+ 44 (0) 1224 722666