



848WD Clamshell Lathe

Portable Machining Solutions

Features & Benefits

- Sever or simultaneous Sever / Bevel 36 to 48 inch diameter pipe, or NPS 36 to NPS 48 schedule pipe.
- Cold cutting in hazardous environments
- Exceptionally rigid, split-frame for precise on-site machining
- Lightweight, low clearance design for easy handling in tight working spaces
- O.D. Following Tool Block allows a +/- 1 inch out of round workpiece
- Tool holder accepts standard 3/4 or 1 inch tool bits
- Air Caddy (air filter and oiler) included with air drive systems
- Customer setups and drives available for your application

5 dd] W U h c b F U b [Y | 3 i E C A A i E C A & O F I A F G J A { D a a ^ c i A q a E A A U U A i A i i . & @ a ~ I A] q ^ E

: Y Y X | O ^ a A ^ & @ a { K A J [a o a e , @ I A a o H i q A q] ^ I A ^ a E O ^ a U a e K E C A E A A i A e i A a & @ . A ^ I A ^ c [~ q] A q e i E C F A i A e i A { E

8 f j j Y G m g h a 5 j f 8 f j j Y O A A ~]] I A ~ a \ ^ } d F E E A { A O F E E A . a C E A H e q A O A E A a E D

< m x f U] W 8 f j j Y A P U W A ~ a \ ^ } d F E E I A { A O A F E E A . a C E I E I A { A O A J A a D E } q ~ [~ A] I ^ . ~ I ^ A ^ a i a e | A A [q i A q & ^ a ^ A q . A q . A q a A ~ a E a & } } ^ a o

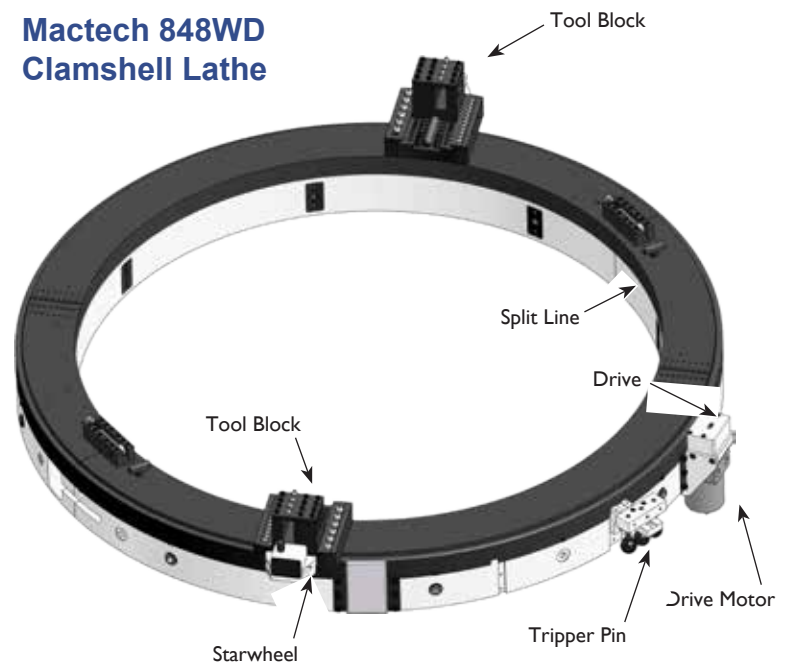
K Y [\ I h g A q & ^ a ^ A q [| A | & . A q a A i q ^ A [q i . A

C d Y f U h b [K Y [\ I h g i i i Y O A A O a ^ K i i A a E C H U A * D i i i Y O A ^ a i a e | A O i q ^ K i F A a E C H i A * D A G] d d] b [K Y [\ I h g i i i Y O A A O a ^ K F E E A . A C I I A * D i i i Y O A ^ a i a e | A O i q ^ K F G A a E C i E A * D

C d i j c b g

- Full line of tool bits
- Right angle and reversible drives
- Single Point machining attachment
- Axial Feed machining attachment
- Counterbore/Facing attachment
- Hydraulic Power

Mactech 848WD Clamshell Lathe



Mactech
(EUROPE) LIMITED

HEAD OFFICE
MACTECH HOUSE
RIVERDANE ROAD
EATON BANK TRADING ESTATE
CONGLETON
CHESHIRE
CW12 1PN
+ 44 (0) 1260 281431



www.mactech europe.co.uk
info@mactech europe.co.uk

ABERDEEN OFFICE
MACTECH HOUSE
HOWE MOSS DRIVE
KIRKHILL IND. ESTATE
DYCE
ABERDEEN
AB21 0GL
+ 44 (0) 1224 722666

Rental Units
in the UK &
Internationally

Mactech Europe

848WD Clamshell Lathe

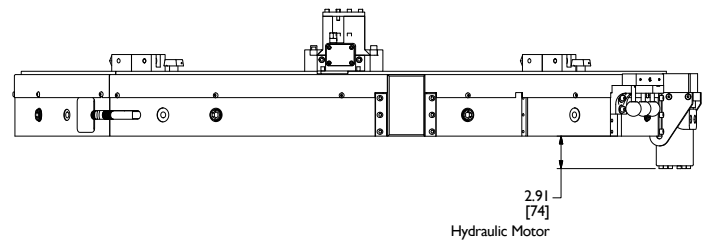
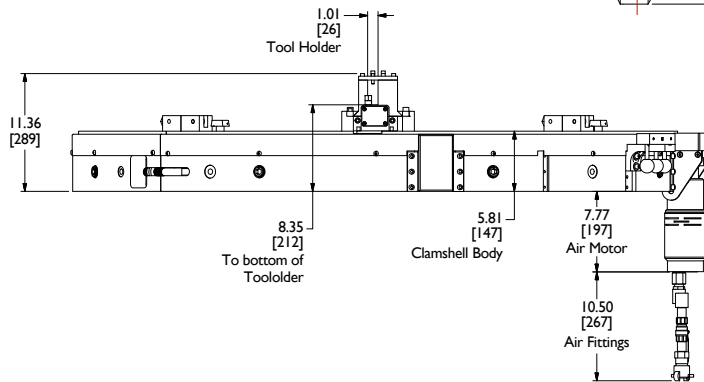
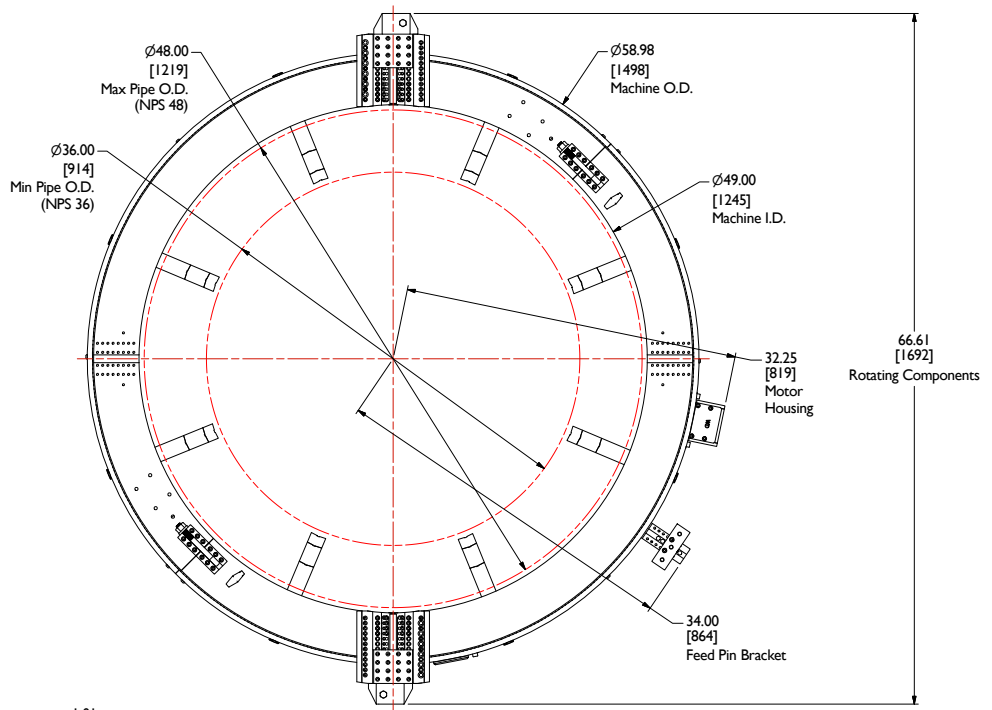
Portable Machining Solutions



848WD Nominal Pipe Size (NPS) Application Range

Nominal Pipe Size (in.)	Schedule No.	Wall Thickness (in.)	Inside Diameter (in.)	Nominal Pipe Size (in.)	Schedule No.	Wall Thickness (in.)	Inside Diameter (in.)
36 (36.000)	10	0.312	35.375	48 (48.000)	ST, 40S	0.375	47.250
	ST, 40S	0.375	35.250		XS, 80S	0.500	47.000
	XS, 80S	0.500	35.000				
42 (42.000)	ST, 40S	0.375	41.250				
	XS, 80S	0.500	41.000				
	30	0.625	40.750				
	40	0.750	40.500				

Mactech Europe 848WD Clamshell Lathe



HEAD OFFICE
Mactech HOUSE
RIVERDANE ROAD
EATON BANK TRADING ESTATE
CONGLETON
CHESHIRE
CW12 1PN
+ 44 (0) 1260 281431



www.mactech europe.co.uk
info@mactech europe.co.uk

ABERDEEN OFFICE
Mactech HOUSE
HOWE MOSS DRIVE
KIRKILL IND. ESTATE
DYCE
ABERDEEN
AB21 0GL
+ 44 (0) 1224 722666



Mactech
(EUROPE) LIMITED