

MBMC6 Portable Boring System

The MBMC6 Facing Arm Attachment used as an accessory to the MBMC Boring Bar system.

The Facing Arm Attachment allows the MBMC6 Boring Bar to be used as a flange facing machine capable of machining flanges from 6 inches to 76 inches (152 to 1930 mm) diameter.

Features include modular extension sets and automatic variable feed. Inward and outward radial feed capability allows flexibility in cutting direction.

The MBMC 6 Facing Arm Attachment is well-balanced for top performance and is easy and fast to install



Specifications:

Feed Rate Radial:

0 to .020 inches/revolution (0 to 0.51mm/revolution)

Cutting Range Diameter Min:

6 inches (152.4mm) Max: 76 inches (1930.4mm)

Weights:

Cutter Head Base with Facing Arm: 186 lbs. (84 kg)

Extension Block:

9.8 lbs (4.4 kg) each

MBMC with Facing Arm Attachment.



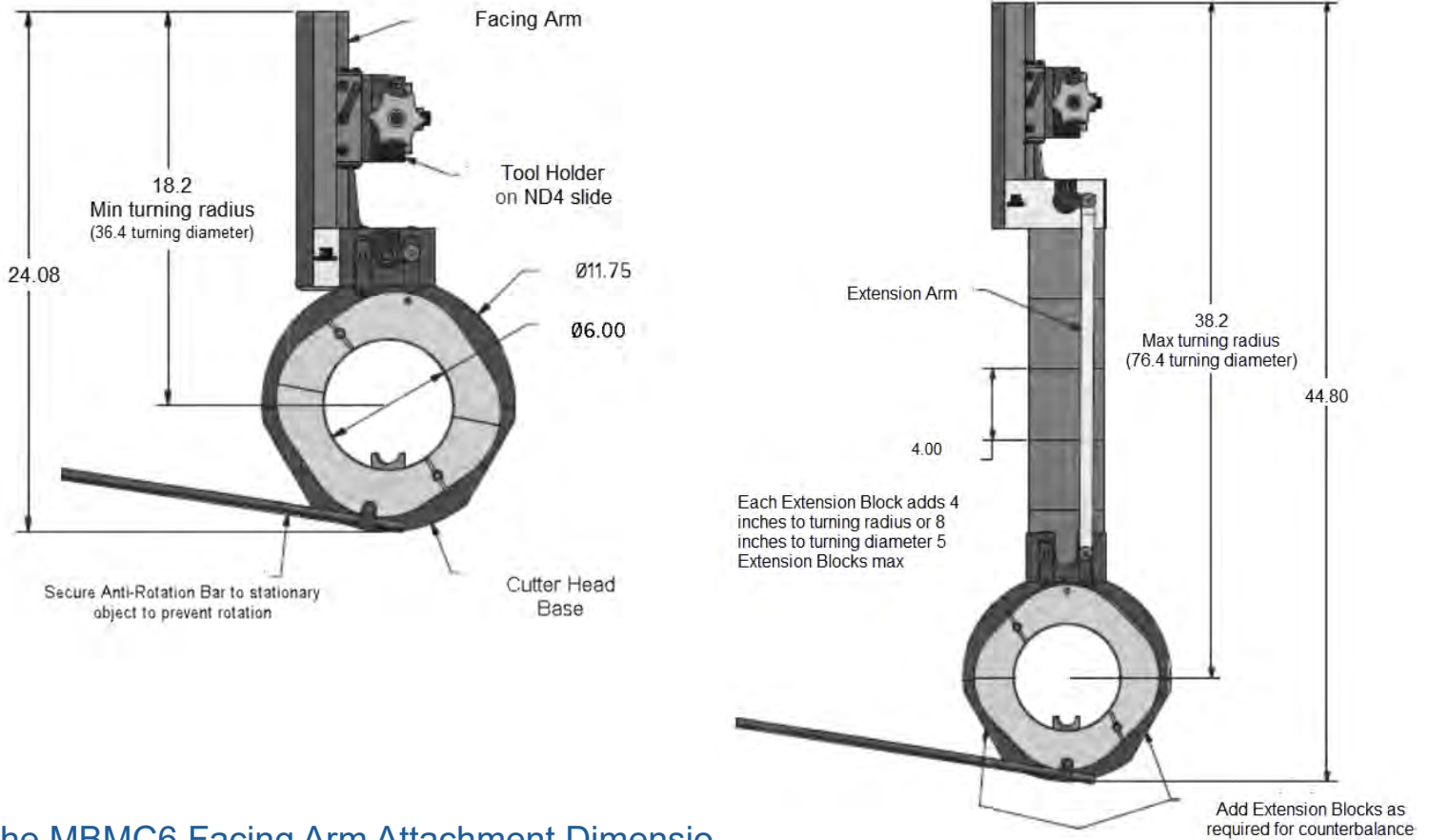
Mactech (Europe) Ltd
Mactech House
Riverdane Road
Eaton Bank Trading Estate
Congleton
Cheshire
CW12 1PN
+ 44 (0) 1260 281431

Mactech (Europe) Ltd.
Mactech House
Howe Moss Drive
Dyce
Aberdeen
Scotland
AB21 0GL
+ 44 (0) 1224 722666

Mactech (Europe) BV
Moerbeij 16
3371 NZ
Hardinxveld-Giessendam
Netherlands
+31 (0) 184 633 953

MBMC6 Portable Boring System

The MBMC6 Facing Arm Attachment used as an accessory to the MBMC Boring Bar system.



The MBMC6 Facing Arm Attachment Dimension

For over 25 years, Mactech has been a leading supplier of portable machine tools, on-site machining and stress-relieving services.

We take a personal interest in your job, and will assist you with the most comprehensive support in the industry.

Our professional on-site technicians are experts in the operation, repair and assembly of every tool.

Mactech's experience in field service and custom tool design brings innovative and productive solutions to every job

