

# Mactech's I.D. Milling Machine

From 33 inch I.D. to 60 inch O.D. (838 mm I.D. To 1524 mm O.D.)

Mactech's ID Milling Machine reliably cuts casing, pilings, and other round, hollow tube from the inside of the pipe.

Simply lower the ID Milling Machine into the pipe, activate the self-centering mechanism, and begin the cut.

The self-centering clamps assure accurate and secure placement. In subsea applications, cutting below the mudline requires costly and time-wasting dredging around the casing.

The ID Milling Machine eliminates the need for excavation around subsea structures, saving time and expense. Mactech's unique ID Milling Machine is your solution to limited access, round tube severing applications.



## Benefits

- Cold cut pilings, casings, or other round, hollow tube.
- Dual End Mills reduce cut time by half.
- Inside diameter cutting eliminates the need for subsea dredging around casings.
- Cuts 33 to 60 inch inside diameter pipe.
- Self-centering makes setup quick and easy.
- Uses standard 1 inch end mill.



**Mactech**  
(EUROPE) LIMITED

info@mactech europe.co.uk  
www.mactech europe.co.uk

Mactech (Europe) Ltd.  
Mactech House  
Riverdane Road  
Eaton Bank Trading Estate  
Congleton  
Cheshire  
CW12 1PN

+ 44 (0) 1260 281431

Mactech (Europe) Ltd.  
Mactech House Howe  
Moss Drive  
Dyce  
Aberdeen  
Scotland  
AB21 0GL

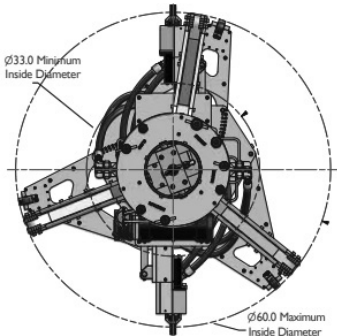
+ 44 (0) 1224 722666

# Mactech's I.D. Milling Machine

From 33 inch I.D. to 60 inch O.D. (838 mm I.D. To 1524 mm O.D.)

## Inside Diameter Pipe Severing

|                  |  |
|------------------|--|
| Tooling          | 1 inch (25.4 mm) End Mill  |
| HPU Requirement  | 35 gpm @ 2000 psi continuous pressure. Adjustable flow and pressure control. Hydraulic power units are available from Mactech Europe |
| Control Cart     | Mactech Europe recommends the use of the control cart for controlling all hydraulic functions.                                       |
| Operating Weight | 1140 lbs ( 518 kg)   |



\* Machine is shown in the operating position, set for 60 inch inside diameter pipe.

